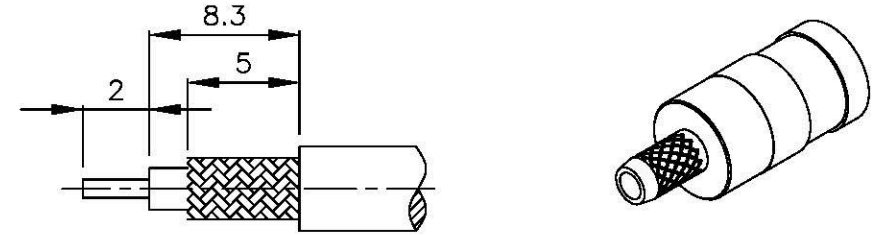
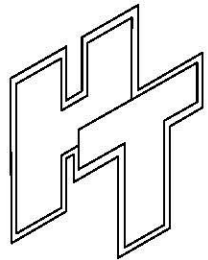
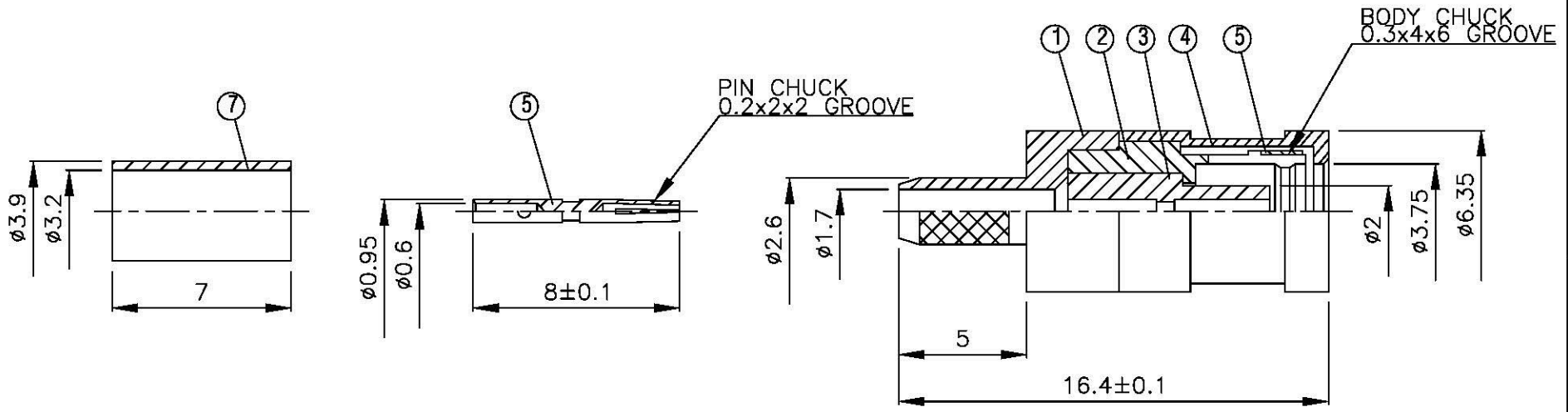


NO	DESCRIPTION	MATERIAL	Q'TY	FINISH	REMARK
1	BODY 1	BRASS	1	GOLD	B-SMB0246-G
2	BODY 2	BRASS	1	GOLD	B-SMB0263-G
3	INSULATION 1	TEFLON	1	TEFLON	I-0054T
4	BODY 3	BRASS	1	GOLD	B-SMB0245-G
5	PIN	BE CU	1	GOLD	P-SMB0146-G
6	WASHER	BE CU	1	NICKEL	W-0035-G
7	RING	BRASS	1	GOLD	R-0001-G



(Recommended Stripping Dimension)



Allconnectors

www.allconnectors.de info@allconnectors.de
Tel: +0949 711 700503 Fax: +0949 711 700504
30794 Hildersdorf, Germany Kottbusstr. 25

TITLE **SMB FEMALE CRIMP FOR RG316/U,174/U**

PART NO. **SMB-02LV1-TGG**

DRAWING NO. **SMB 02LV1 TGG**

DRAWN **MARY** DATE **96.01.26**

CHECKED **黄巧君** DATE

Q.A. **蘇姿潔** DATE

APPROVAL **徐燦霖** DATE

REVISION DATE

DIMENSIONS ARE IN MILLIMETERS

UNLESS OTHERWISE SPECIFIED TOLERANCE

0.5-5=±0.2 120-315=±1
5-30= ±0.4 315-1000=±1.6
30-120±0.6 1000-2000=±2.4

SCALE 4:1 SIZE A

REVISION

DESCRIPTION ENGINEER