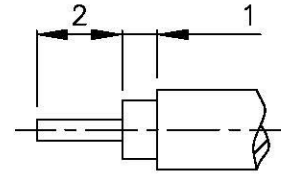
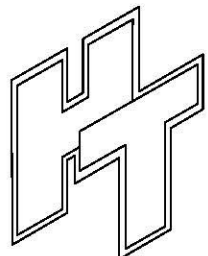
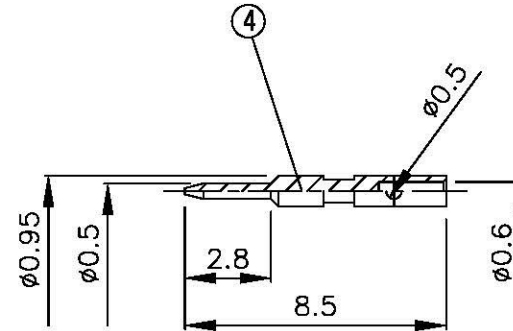
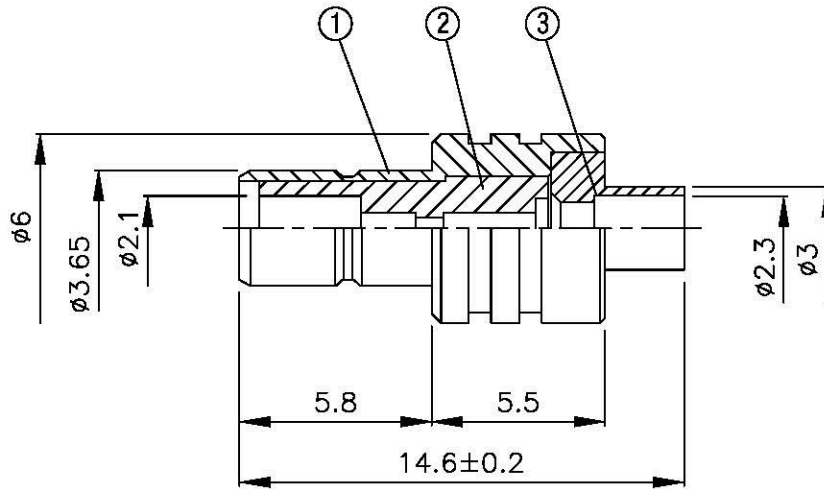
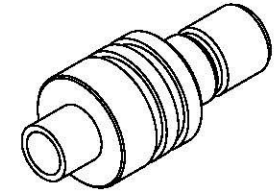


NO	DESCRIPTION	MATERIAL	Q'TY	FINISH	REMARK
1	BODY 1	BRASS	1	GOLD	B-SMB0167-G
2	INSULATION	TEFLON	1	TEFLON	I-0023T
3	BODY 2	BRASS	1	GOLD	B-SMB0174-G
4	PIN	BRASS	1	GOLD	P-SMB0114-G



(Recommended Stripping Dimension)



**All Connectors**

allconnectors.com  
Tel: +86 571 2602500  
321103 Hangzhou, China

TITLE **SMB MALE SOLDER FOR  
RG-405 (.085)**

PART NO. **SMB-01V1-TGG**

DRAWING NO. **SMB 01V1 TGG**

DRAWN **MARY**

CHECKED **黄巧君**

Q.A. **蘇姿潔**

APPROVAL **徐燦霖**

REVISION

DATE **96.03.14**

DATE

DATE

DATE

DATE

DIMENSIONS ARE IN MILLIMETERS

UNLESS OTHERWISE SPECIFIED  
TOLERANCE

0.5-5=±0.2	120-315=±1
5-30=±0.4	315-1000=±1.6
30-120±0.6	1000-2000=±2.4

SCALE **4:1**

SIZE **A**

REVISION

DESCRIPTION ENGINEER

4

3

2

1