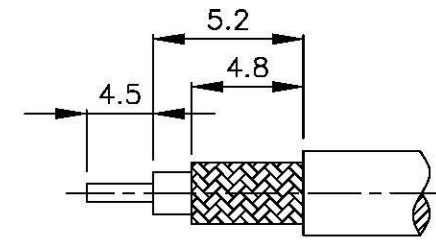
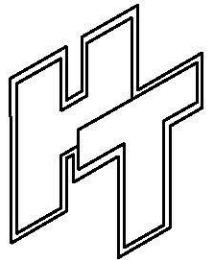
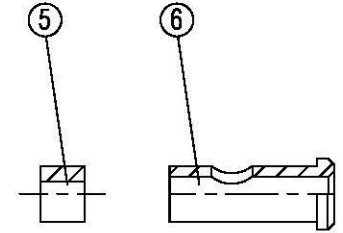
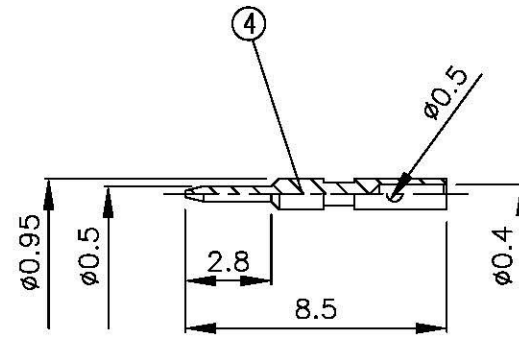
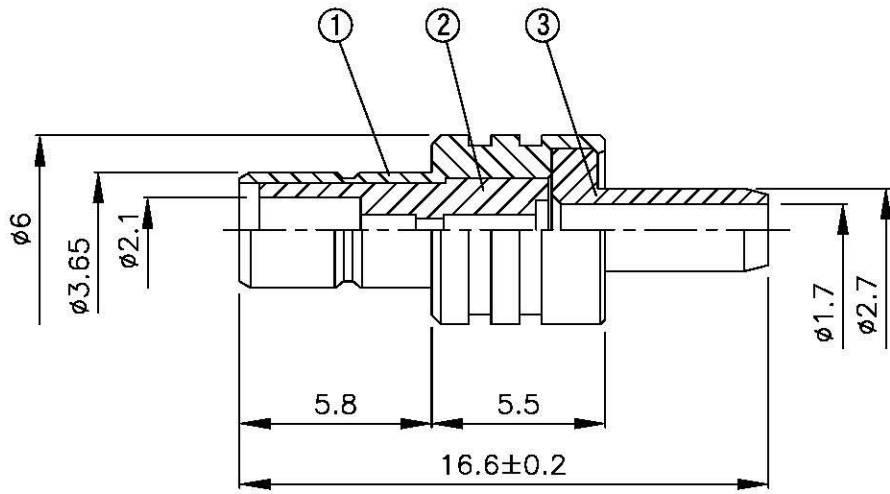
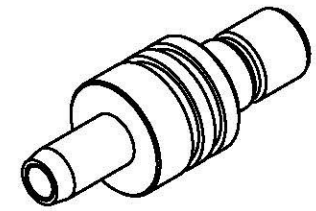


NO	DESCRIPTION	MATERIAL	Q'TY	FINISH	REMARK
1	BODY 1	BRASS	1	GOLD	B-SMB0167-G
2	INSULATION	TEFLON	1	TEFLON	I-0023T
3	BODY 2	BRASS	1	GOLD	B-SMB0173-G
4	PIN	BRASS	1	GOLD	P-SMB0116-G
5	INSULATION	TEFLON	1	TEFLON	I-0256T
6	BODY 3	BRASS	1	GOLD	B-FME0718-G



(Recommended Stripping Dimension)



**All Connectors**

www.allconnectors.com  
Tel: (626) 711 7000/593  
allconnectors.com

TITLE **SMB MALE CRIMP FOR HRS0.81**

PART NO. **SMB-01U2-TGG**

DRAWING NO. **SMB 01U2 TGG**

DRAWN **MARY** DATE **96.03.13**

CHECKED **黄巧君** DATE

Q.A. **蘇姿潔** DATE

APPROVAL **徐燦霖** DATE

REVISION DATE

DIMENSIONS ARE IN MILLIMETERS

UNLESS OTHERWISE SPECIFIED TOLERANCE

0.5-5=±0.2    120-315=±1  
5-30=±0.4    315-1000=±1.6  
30-120±0.6    1000-2000=±2.4

SCALE **4:1** SIZE **A**

REVISION

DESCRIPTION ENGINEER

4

3

2

1