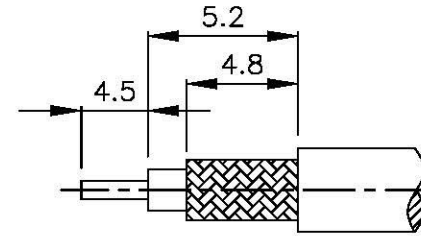
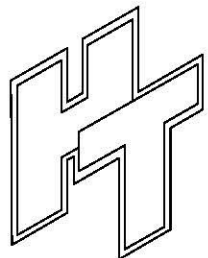
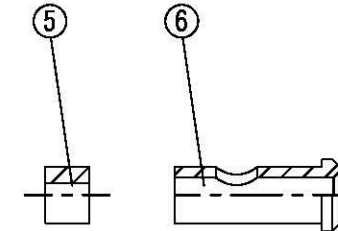
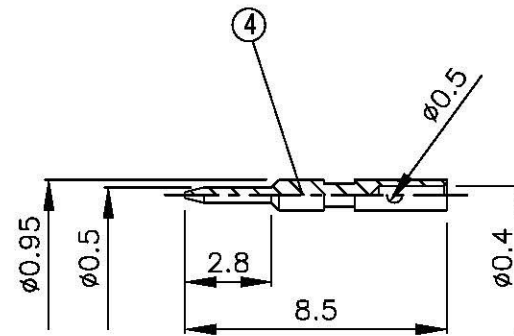
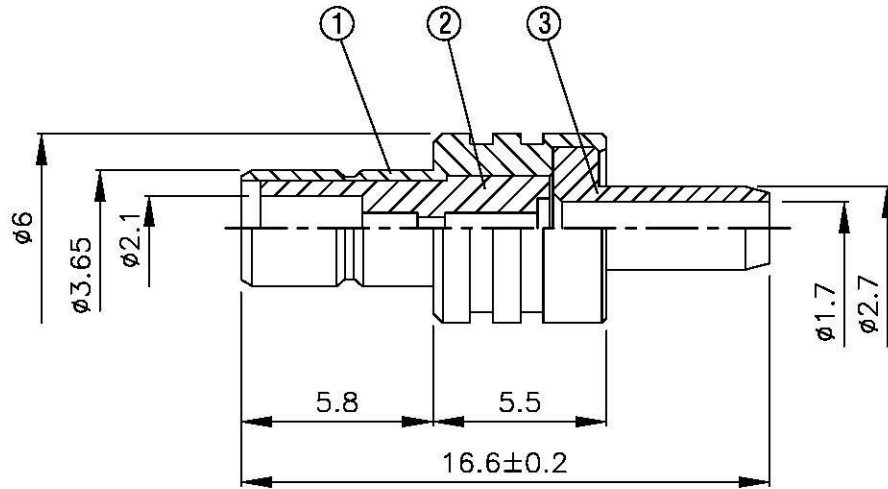
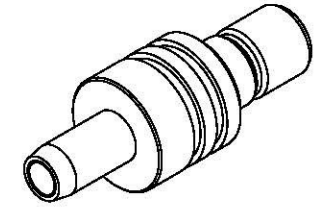


| NO | DESCRIPTION | MATERIAL | Q'TY | FINISH | REMARK      |
|----|-------------|----------|------|--------|-------------|
| 1  | BODY 1      | BRASS    | 1    | GOLD   | B-SMB0167-G |
| 2  | INSULATION  | TEFLON   | 1    | TEFLON | I-0023T     |
| 3  | BODY 2      | BRASS    | 1    | GOLD   | B-SMB0173-G |
| 4  | PIN         | BRASS    | 1    | GOLD   | P-SMB0116-G |
| 5  | INSULATION  | TEFLON   | 1    | TEFLON | I-0256T     |
| 6  | BODY 3      | BRASS    | 1    | GOLD   | B-FME0861-G |



(Recommended Stripping Dimension)



**All Connectors**

TEL: 06-2711-7000 FAX: 06-2711-7000  
 31001-31002 TEL: 06-2711-7000 FAX: 06-2711-7000

TITLE **SMB MALE CRIMP FOR HRS1.13MM CABLE**

PART NO. **SMB-01U1-TGG**

DRAWING NO. **SMB 01U1 TGG**

DRAWN **MARY** DATE **96.03.13**

CHECKED **蘇姿潔** DATE

Q.A. **張育誌** DATE

APPROVAL **馮健華** DATE

REVISION DATE

DIMENSIONS ARE IN MILLIMETERS

UNLESS OTHERWISE SPECIFIED TOLERANCE

0.5-5=±0.2 120-315=±1  
 5-30=±0.4 315-1000=±1.6  
 30-120±0.6 1000-2000=±2.4

SCALE **4:1** SIZE **A**

REVISION

DESCRIPTION ENGINEER