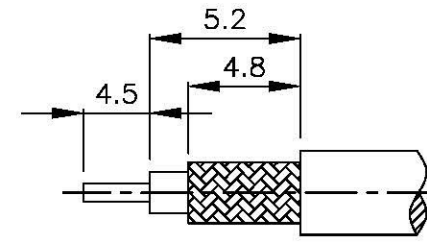
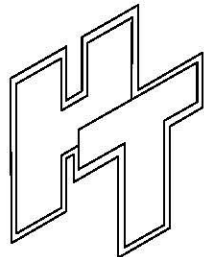
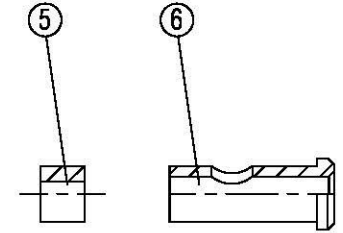
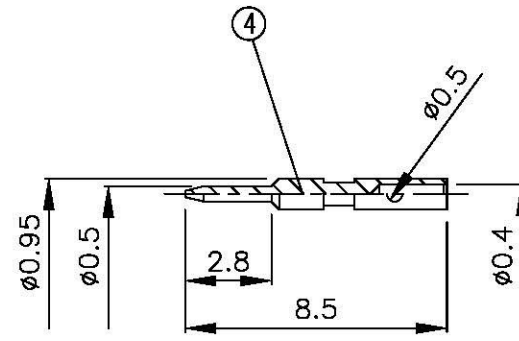
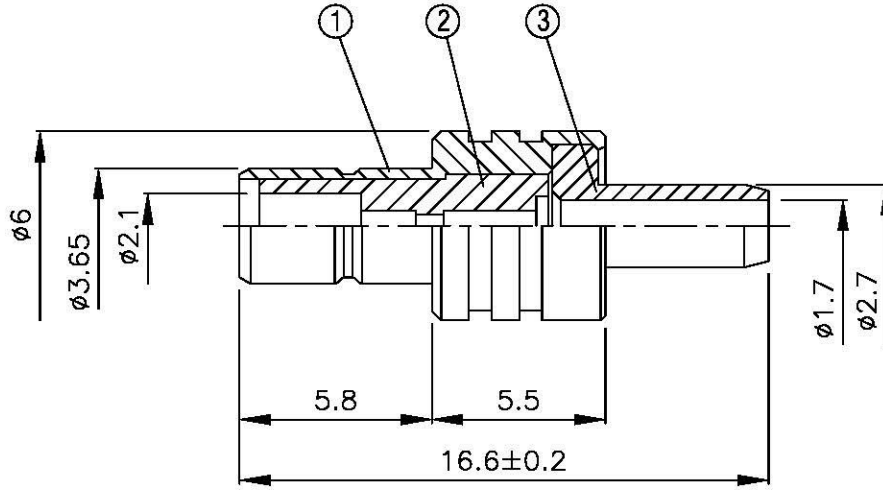
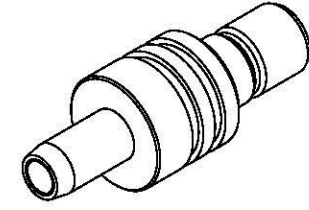


NO	DESCRIPTION	MATERIAL	Q'TY	FINISH	REMARK
1	BODY 1	BRASS	1	GOLD	B-SMB0167-G
2	INSULATION	TEFLON	1	TEFLON	I-0023T
3	BODY 2	BRASS	1	GOLD	B-SMB0173-G
4	PIN	BRASS	1	GOLD	P-SMB0116-G
5	INSULATION	TEFLON	1	TEFLON	I-0256T
6	BODY 3	BRASS	1	GOLD	B-FME0861-G



(Recommended Stripping Dimension)



**All Connectors**

www.allconnectors.de  
 Tel: +49 41 939191  
 30764 Frickestr. Germany

info@allconnectors.de  
 Fax: +49 41 939191  
 Kappelstr. 25

TITLE **SMB MALE CRIMP FOR HRS1.30**

PART NO. **SMB-01U-TGG**

DRAWING NO. **SMB 01U TGG**

DRAWN	MARY	DATE	96.03.13
CHECKED	蘇姿潔	DATE	
Q.A.	張育誌	DATE	
APPROVAL	馮健華	DATE	
REVISION		DATE	

DIMENSIONS ARE IN MILLIMETERS			
UNLESS OTHERWISE SPECIFIED TOLERANCE			
0.5-5=±0.2	120-315=±1		
5-30=±0.4	315-1000=±1.6		
30-120±0.6	1000-2000=±2.4		
SCALE	4:1	SIZE	A

REVISION	
DESCRIPTION	ENGINEER

4

3

2

1