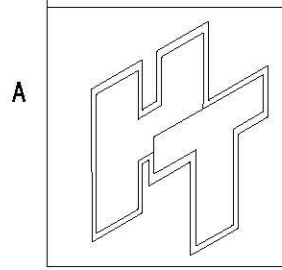
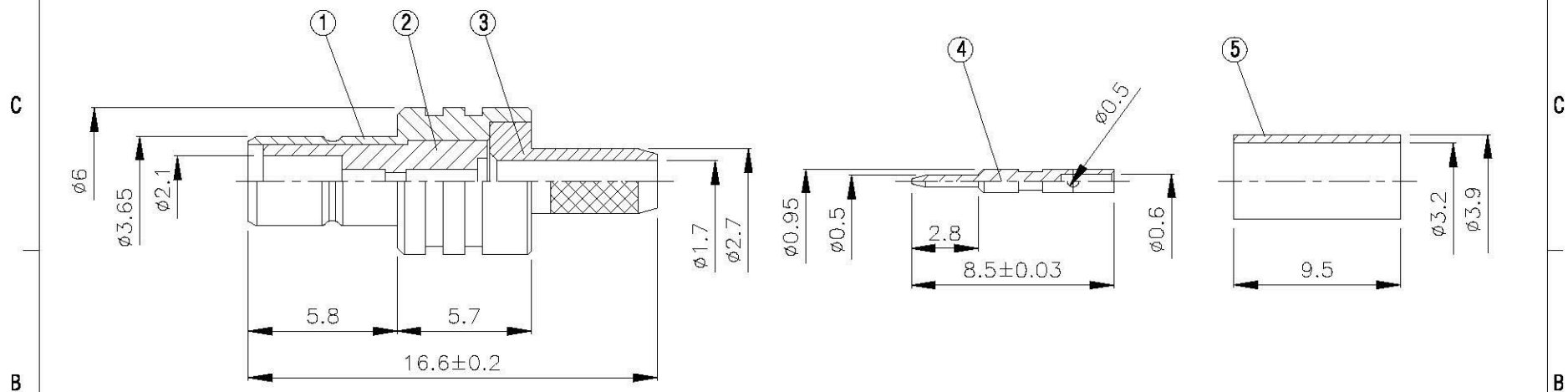
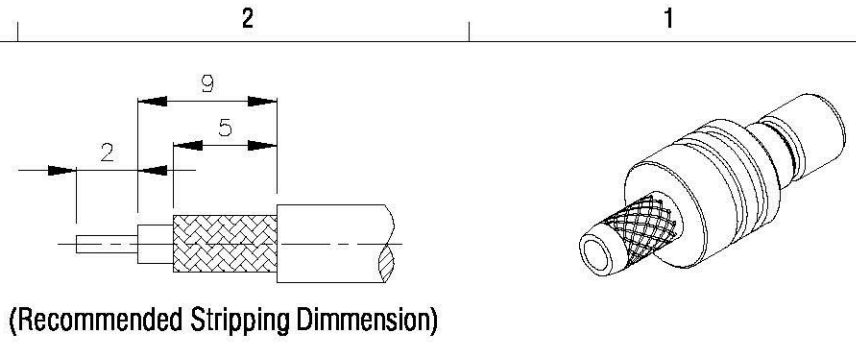


NO	DESCRIPTION	MATERIAL	Q'TY	FINISH	REMARK
1	BODY 1	BRASS	1	NICKEL	B-SMB0167-N
2	INSULATION	TEFLON	1	TEFLON	I-0023T
3	BODY 2	BRASS	1	NICKEL	B-SMB0172-N
4	PIN	BRASS	1	GOLD	P-SMB0114-G
5	RING	BRASS	1	NICKEL	R-0002-N



All Connectors
 info@allconnectors.de
 Tel.: 0049 711 7009503
 37751 Fliedenstr. - Germany

title SMB MALE CRIMP FOR
RG-316U,174U

PART NO. SMB-01LV1-TGN

DRAWING NO. SMB 01LV1 TGN

DRAWN MARY **DATE** 96.03.18

CHECKED 黄巧君 **DATE**

Q.A. 蘇姿潔 **DATE**

APPROVA 徐燦霖 **DATE**

REVISION **DATE**

DIMENSIONS ARE IN MILLIMETERS

UNLESS OTHERWISE SPECIFIED TOLERANCE

0.5-5=±0.2 120-315=±1
 5-30= ±0.4 315-1000=±1.6
 30-120=±0.6 1000-2000=±2.4

SCALE 4:1 **SIZE** A

REVISION	
DESCRIPTION	ENGINEER