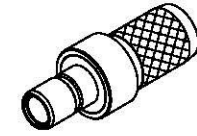
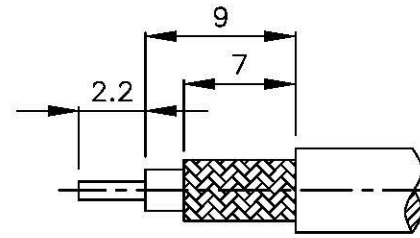
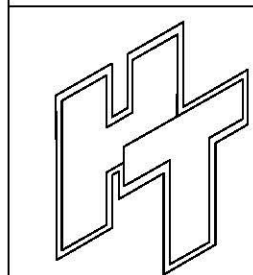
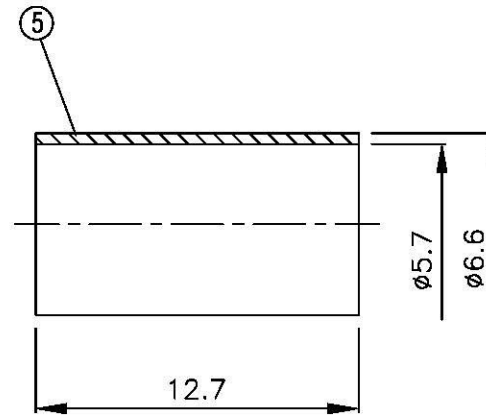
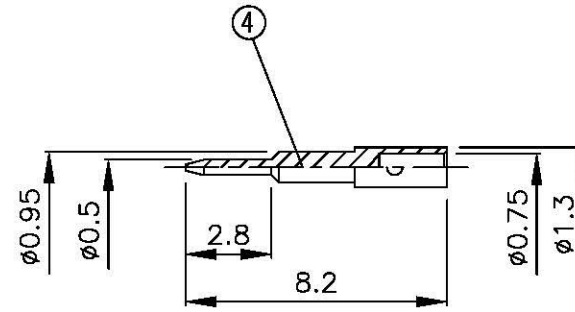
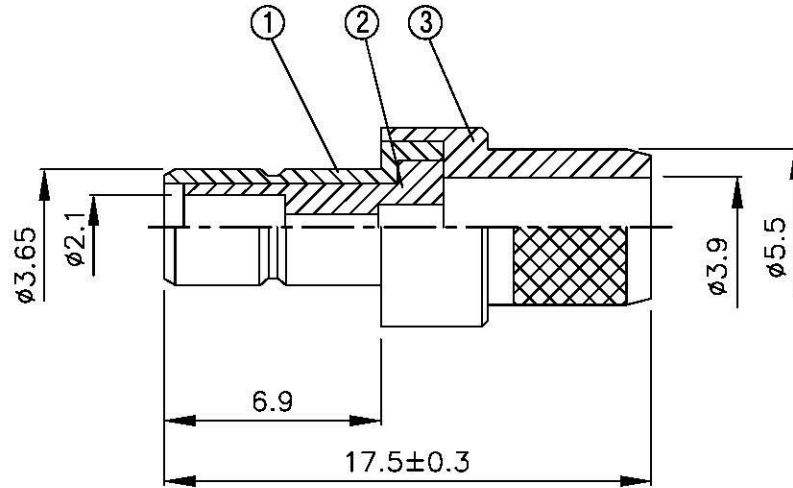


NO	DESCRIPTION	MATERIAL	Q'TY	FINISH	REMARK
1	BODY 1	BRASS	1	GOLD	B-SMB0622-G
2	INSULATION	TEFLON	1	TEFLON	I-0290T
3	BODY 2	BRASS	1	GOLD	B-SMB1009-G
4	PIN	PH.BRONZE	1	GOLD	P-SMB0707-G
5	RING	BRASS	1	GOLD	R-0018-G



(Recommended Stripping Dimension)



All Connectors

www.allconnectors.de
Tel.: 0049 711 700593
70771 Hildesheim - Germany

info@allconnectors.de
Fax: 0049 711 700594
Kellerstr. 25

TITLE **SMB MALE CRIMP FOR
RG-59/U**

PART NO. **SMB-01G-TGG**

DRAWING NO. **SMB-01G-TGG**

DRAWN **MARY** DATE **94.10.05**

CHECKED **沈佳德** DATE **94.10.05**

Q.A. **蘇姿潔** DATE

APPROVAL **徐燦霖** DATE

REVISION DATE

DIMENSIONS ARE IN MILLIMETERS

UNLESS OTHERWISE SPECIFIED
TOLERANCE
0.5-5=±0.2 120-315=±1
5-30=±0.4 315-1000=±1.6
30-120±0.6 1000-2000=±2.4

SCALE **4:1** SIZE **A**

REVISION

DESCRIPTION ENGINEER

D

C

B

A

D

C

B

A

4

3

2

1