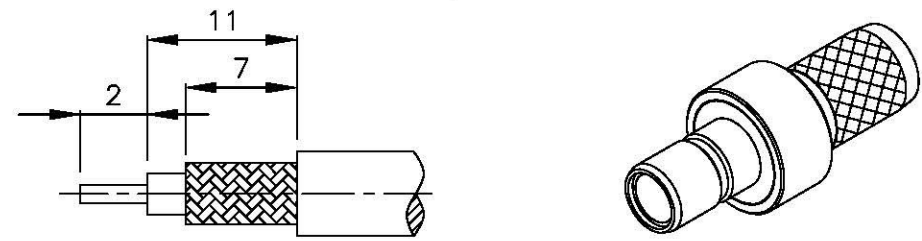
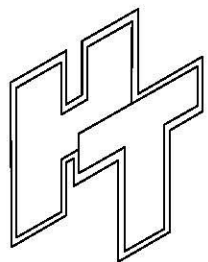
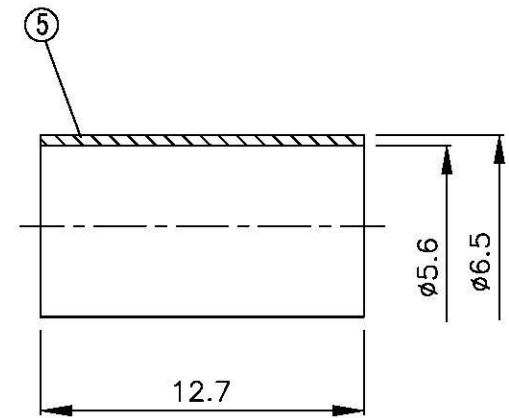
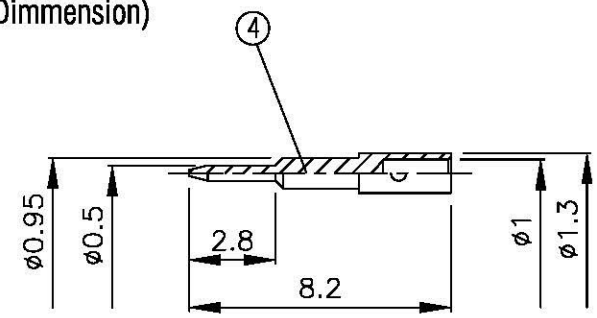
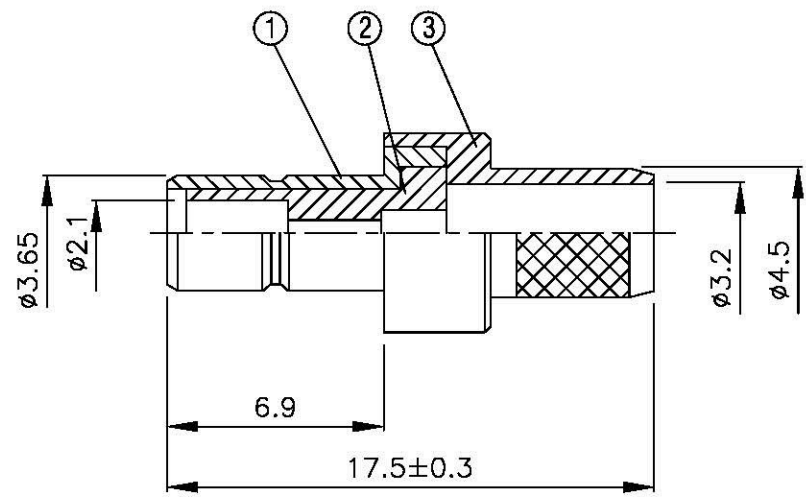


NO	DESCRIPTION	MATERIAL	Q'TY	FINISH	REMAEK
1	BODY 1	BRASS	1	GOLD	B-SMB0622-G
2	INSULATION	TEFLON	1	TEFLON	I-0290T
3	BODY 2	BRASS	1	GOLD	B-SMB0490-G
4	PIN	PH.BRONZE	1	GOLD	P-SMB0408-G
5	RING	BRASS	1	GOLD	R-0007-G



(Recommended Stripping Dimension)



All Connectors

www.allconnectors.de
Tel.: 0949 711 7095508
70794 Hildersdorf, Germany

info@allconnectors.de
Fax: 0949 711 7095104
Kaltackerstr. 25

TITLE **SMB MALE CRIMP FOR RG-58/U**

PART NO. **SMB-01F-TGG**

DRAWING NO. **SMB 01F TGG**

DRAWN	MARY	DATE	96.03.14
CHECKED	黄巧君	DATE	
Q.A.	蘇姿潔	DATE	
APPROVAL	徐燦霖	DATE	
REVISION		DATE	

DIMENSIONS ARE IN MILLIMETERS			
UNLESS OTHERWISE SPECIFIED TOLERANCE			
0.5-5=±0.2	120-315=±1		
5-30=±0.4	315-1000=±1.6		
30-120±0.6	1000-2000=±2.4		
SCALE	4:1	SIZE	A

REVISION	
DESCRIPTION	ENGINEER

4

3

2

1