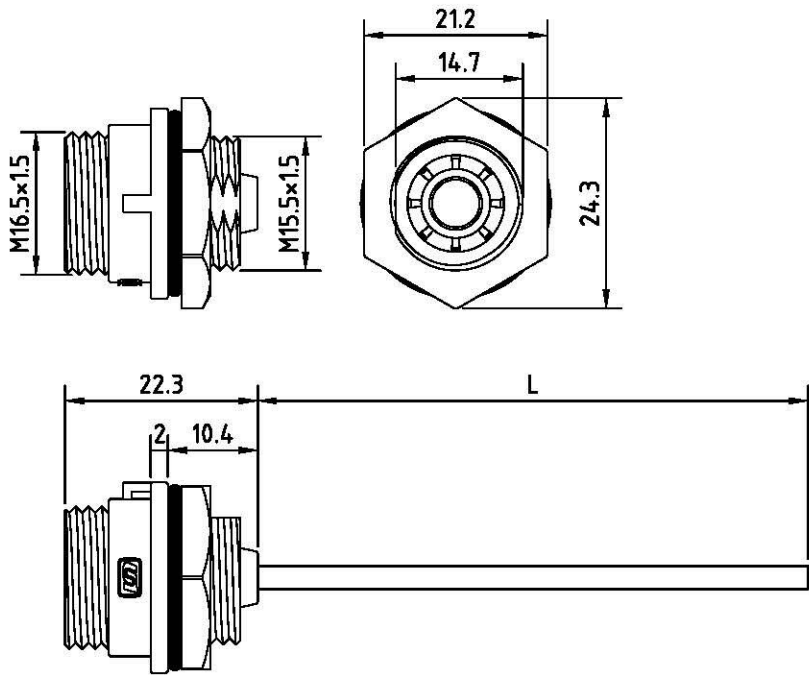


REV.	Description	Date
1	spec. revise	2016/6/24

IP68 when mated
 Panel connector pre-wired RG174 cable-length 0.5m, 1m & 1.5m.



SMB Specifications

Electrical		
Impedance	50 ohm	
Frequency Range	0-4 GHz	
Working Voltage	RG-178: 250 VRMS max.	
	RG-316, .085": 335 VRMS max.	
	RG-174: 250 VRMS max.	
Dielectric Withstanding Voltage	RG-178: 750 VRMS min.	
	RG-316, .085": 1000 VRMS min.	
	RG-174: 1000 VRMS min.	
VSWR	Straight	1.3 max.
Contact Resistance	Center Contact	6 Milliohms max.
	Outer Contact	2.5 Milliohms max.
Insulator Resistance	1000 Megohms min.	
Material		
Parts Name	Material	Finish
Body, Metal Parts	Brass per QQ-B-626	Gold 3 micro-inches
Center Contacts	Male: Brass per QQ-B-626	Gold 30 micro-inches
	Female: Beryllium copper per QQ-C-530	Gold 30 micro-inches
Insulators	Teflon	None
Crimp Ferrules	Annealed Brass	Gold 3 micro-inches
Mechanical & Environmental		
Engagement/Disengagement Force	14 lbs. max.	
Contact Retention	4 lbs. min.	
Durability(Mating)	500 cycles min.	
Temperature Range	-40°C thru 80°C	
Vibration	MIL-STD-202 Method 204 Test Cond. B.	
Salt Spray	MIL-STD-202 Method 101 Test Cond. B.	
Thermal Shock	MIL-STD-202 Method 107 Test Cond. B.	

RoHS



www.allconnectors.de
 Tel.: 0049 711 7009503
 70794 Filderstadt - Germany

info@allconnectors.de
 Fax: 0049 711 7009504
 Kettnerstr. 25

DATE	2016/10/7	PART NO.	P265-50
DWN	GINA	REV.	1
CHK			
UNIT	MM		
ITEM	SMB Connector		