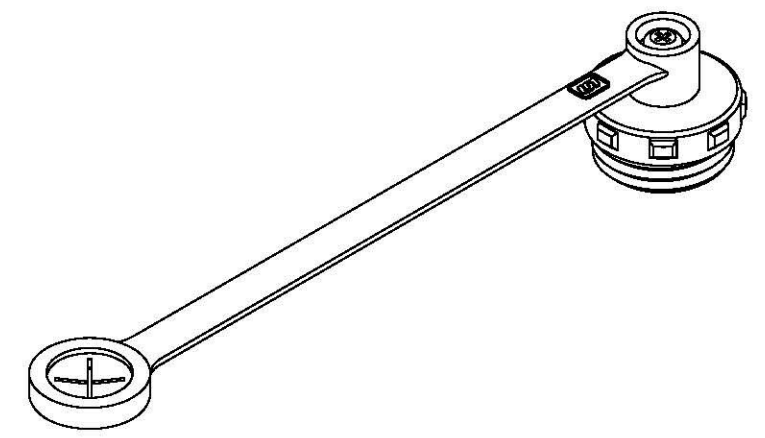
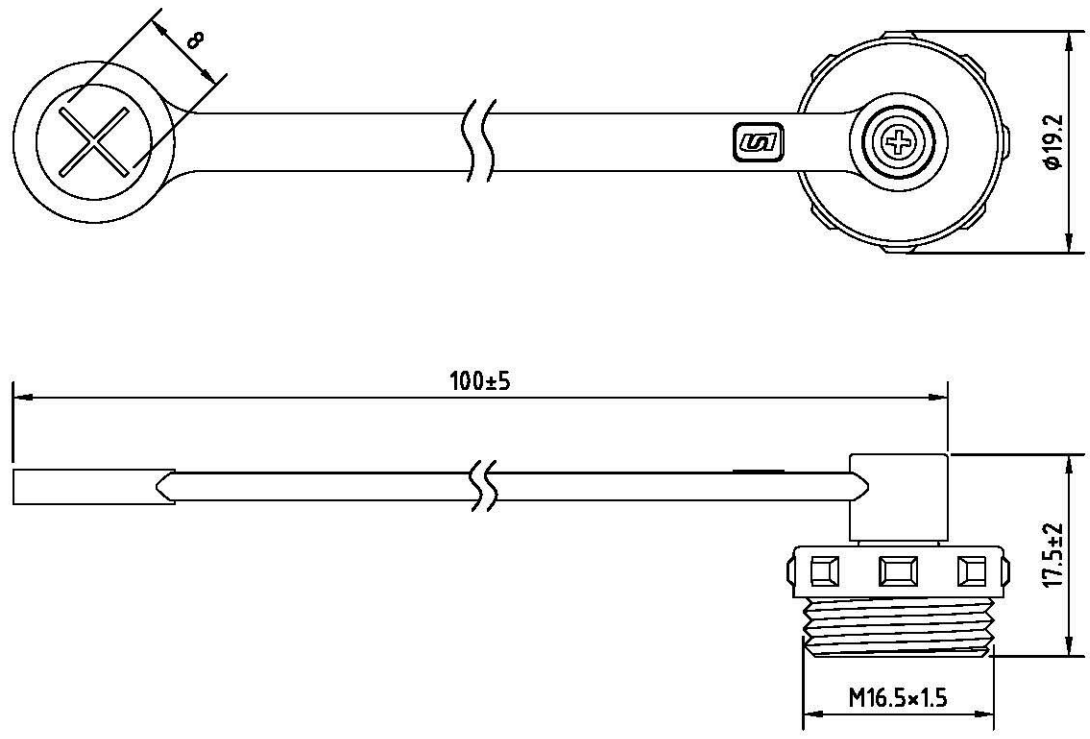


REV.	Description	Date
1	dimensions revised	2020/2/5



RoHS
TOLERANCE ±0.5

4	Screw	SUS	
3	Washer	SUS	
2	Cable tie	PVC	
1	Cap	PA	
Item	Description	Material	Treat & Remark

Allconnectors

www.allconnectors.de
Tel.: 0049 711 7009503
70794 Filderstadt - Germany

info@allconnectors.de
Fax: 0049 711 7009504
Kettnerstr. 25

DATE	2020/2/5	PART NO.	264C-6
DWN	GINA	REV.	1
CHK			
UNIT	MM		

ITEM	Waterproof Cap
------	----------------