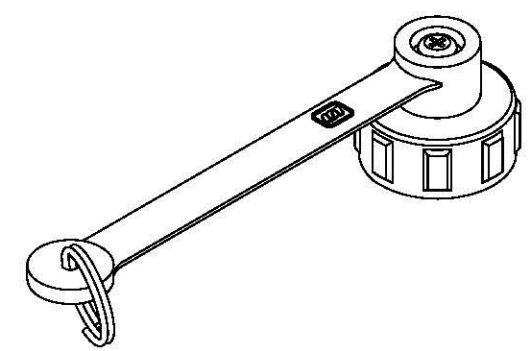
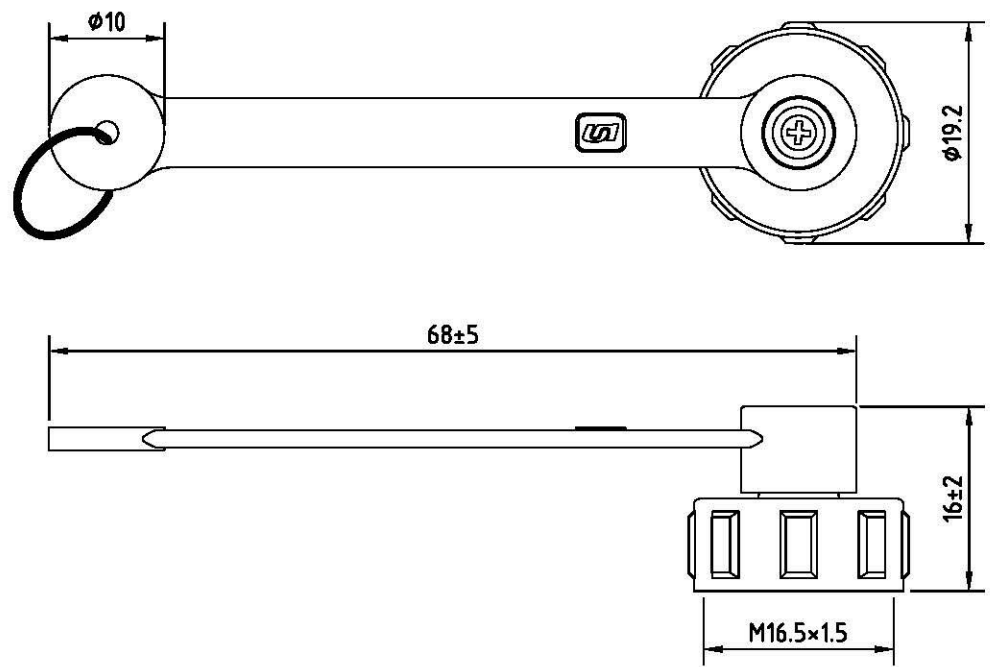


REV.	Description	Date
1	dimensions revised	2020/2/5



RoHS  
TOLERANCE  $\pm 0.5$

6	Ring	Steel	Nickel plated
5	Screw	SUS	
4	Washer	SUS	
3	Cable tie	PVC	
2	Pad	rubber	
1	Cap	PA	
Item	Description	Material	Treat & Remark

**Allconnectors**

www.allconnectors.de  
Tel.: 0049 711 7009503  
70794 Filderstadt - Germany

info@allconnectors.de  
Fax: 0049 711 7009504  
Kettnerstr. 25

DATE	2020/2/5	PART NO.	264C-8
DWN	GINA	REV.	1
CHK			
ITEM	Waterproof Cap	UNIT	MM