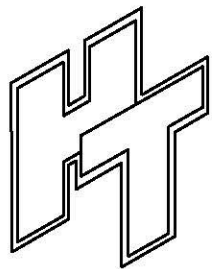
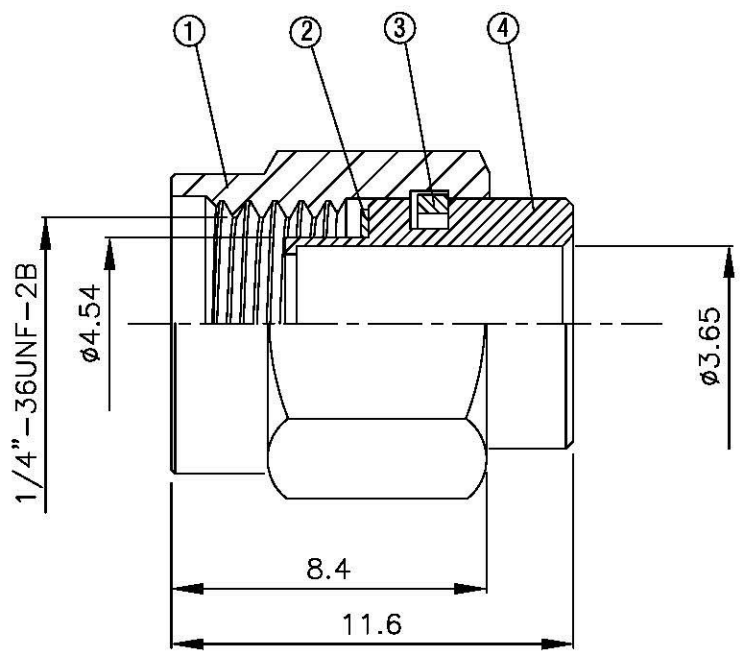
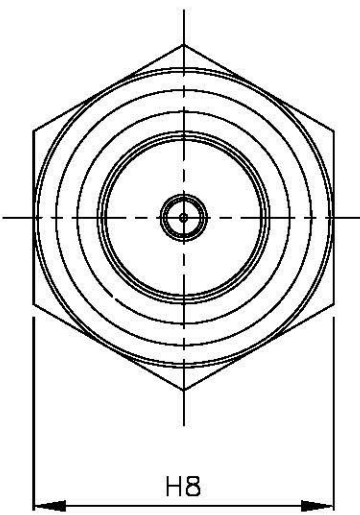
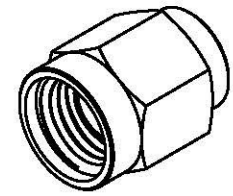
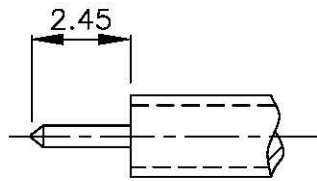


NO	DESCRIPTION	MATERIAL	Q'TY	FINISH	REMARK
1	BODY	BRASS	1	GOLD	B-SMA0043-G
2	GASKET	SI RUBBER	1	RUBBER	RU-0008
3	WASHER	PH.BRONZE	1	GOLD	W-0012
4	BODY	BRASS	1	GOLD	B-SMA1035-G



All Connectors
 www.allconnectors.de info@allconnectors.de
 Tel: 0049 711 900501 Fax: 0049 711 900504
 70794 Filderstadt - Germany

TITLE SMA DIRECT SOLDER PLUG FOR RG-402 (.141)

PART NO. SMA-88-GOLD

DRAWING NO. SMA-88-GOLD

DRAWN	MARY	DATE	96.03.20
CHECKED	沈佳憶	DATE	96.03.20
Q.A.	蘇姿潔	DATE	
APPROVAL	徐燦霖	DATE	
REVISION		DATE	

DIMENSIONS ARE IN MILLIMETERS			
UNLESS OTHERWISE SPECIFIED TOLERANCE			
0.5-5=±0.2	120-315=±1		
5-30=±0.4	315-1000=±1.6		
30-120±0.6	1000-2000=±2.4		
SCALE	4:1	SIZE	A

REVISION	
DESCRIPTION	ENGINEER