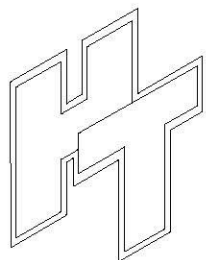
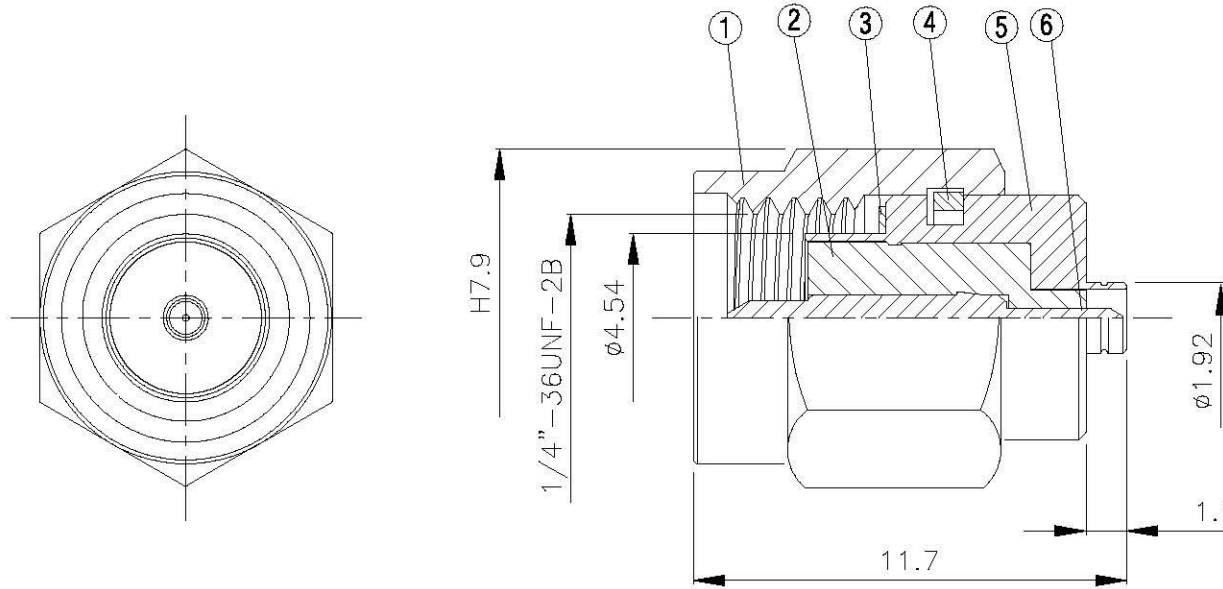
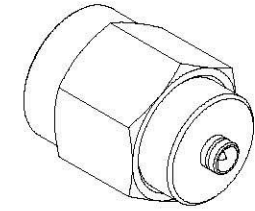


NO	DESCRIPTION	MATERIAL	Q'TY	FINISH	REMARK
1	SHELL	BRASS	1	GOLD	B-SMA0043-G
2	INSULATION	TEFLON	1	TEFLON	I-0473T
3	GASKET	SI RUBBER	1	RUBBER	RU-0008
4	WASHER	PH.BRONZE	1	GOLD	W-0012
5	BODY	BRASS	1	GOLD	B-SMA0974-G
6	PIN	BE CU	1	GOLD	P-SMA0680-G



Allconnectors

www.allconnectors.de
Tel.: 0049 711 7009508
70784 Plochingen Germany

Info@allconnectors.de
Fax: 0049 711 7009504
Kettnerstr. 25

TITLE SMA MALE-U.FL
FEMALE SMT ADAPTOR

PART NO. SMA-87-TGG

DRAWING NO. SMA-87-TGG

DRAWN MARY DATE 96.03.29

CHECKED 蘇姿潔 DATE 96.03.29

Q.A. 馮健華 DATE

APPROVAL 徐燦霖 DATE

REVISION DATE

DIMENSIONS ARE IN MILLIMETERS

UNLESS OTHERWISE SPECIFIED
TOLERANCE

0.5-5=±0.2 120-315=±1

5-30=±0.4 315-1000=±1.6

30-120±0.6 1000-2000=±2.4

SCALE 4:1 SIZE A

REVISION

DESCRIPTION	ENGINEER

D

D

C

C

B

B

A

A

4

3

2

1