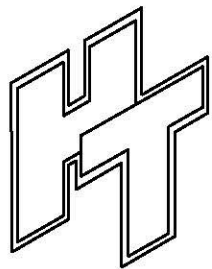
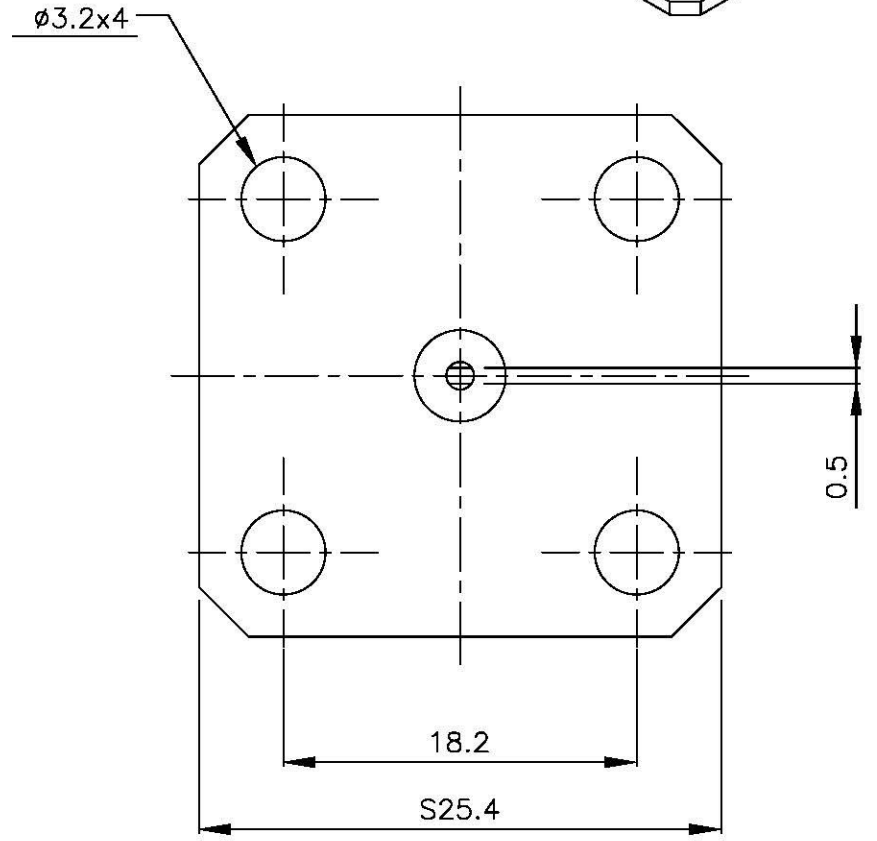
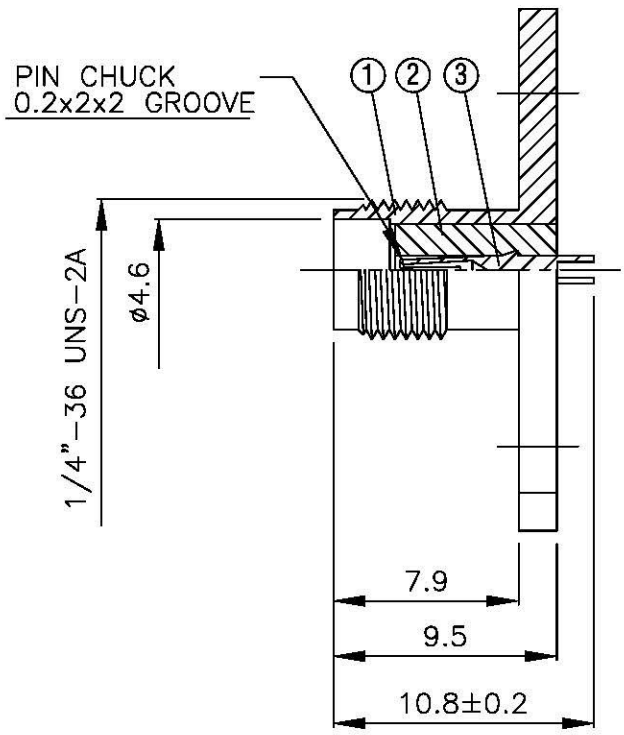
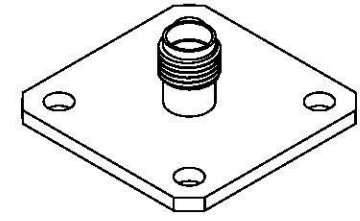


NO	DESCRIPTION	MATERIAL	Q'TY	FINISH	REMARK
1	BODY	BRASS	1	GOLD	B-SMA0850-G
2	INSULATION	TEFLON	1	TEFLON	I-0106T
3	PIN	BE CU	1	GOLD	P-SMA0032-G



All Connectors
 www.allconnectors.com info@allconnectors.com
 TEL: 0049 711 4000-0 FAX: 0049 711 4000-1
 202741 Dillendorf - Germany Kallertstr. 26

TITLE SMA FEMALE PANEL MOUNTED
 PART NO. SMA-84V7-TGG
 DRAWING NO. SMA 84V7 TGG

DRAWN MARY DATE 96.03.16
 CHECKED 蘇姿潔 DATE
 Q.A. 馮健華 DATE
 APPROVAL 徐燦霖 DATE
 REVISION DATE

DIMENSIONS ARE IN MILLIMETERS
 UNLESS OTHERWISE SPECIFIED TOLERANCE
 0.5-5=±0.2 120-315=±1
 5-30=±0.4 315-1000=±1.6
 30-120±0.6 1000-2000=±2.4
 SCALE 4:1 SIZE A

REVISION	
DESCRIPTION	ENGINEER