

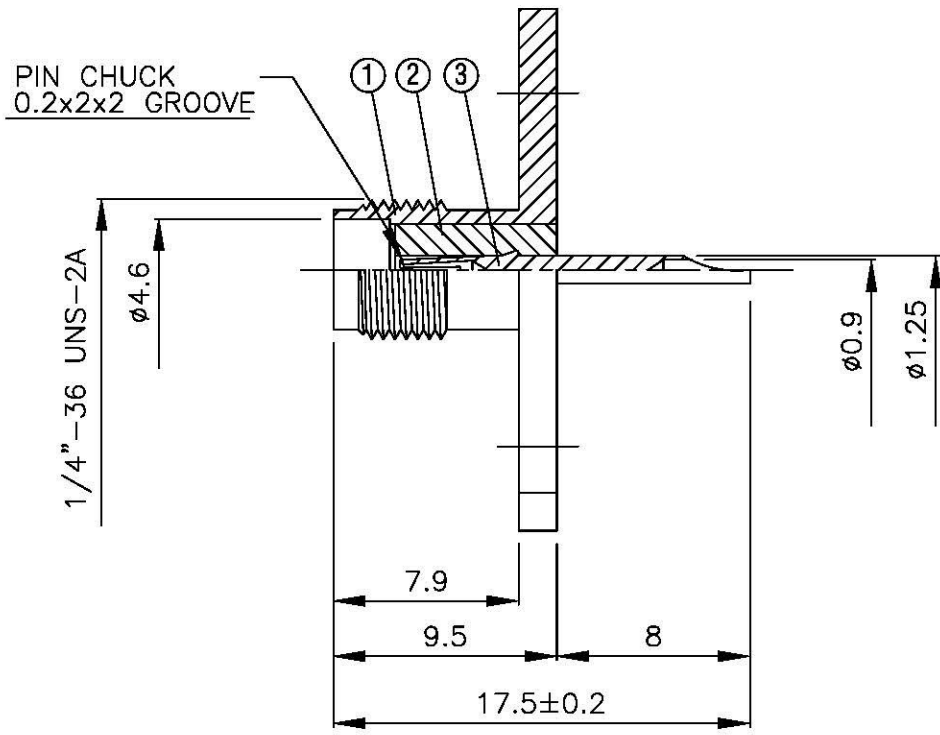
NO	DESCRIPTION	MATERIAL	Q'TY	FINISH	REMARK
1	BODY	BRASS	1	GOLD	B-SMA0850-N
2	INSULATION	TEFLON	1	TEFLON	I-0106T
3	PIN	BE CU	1	GOLD	P-SMA0597-G

D

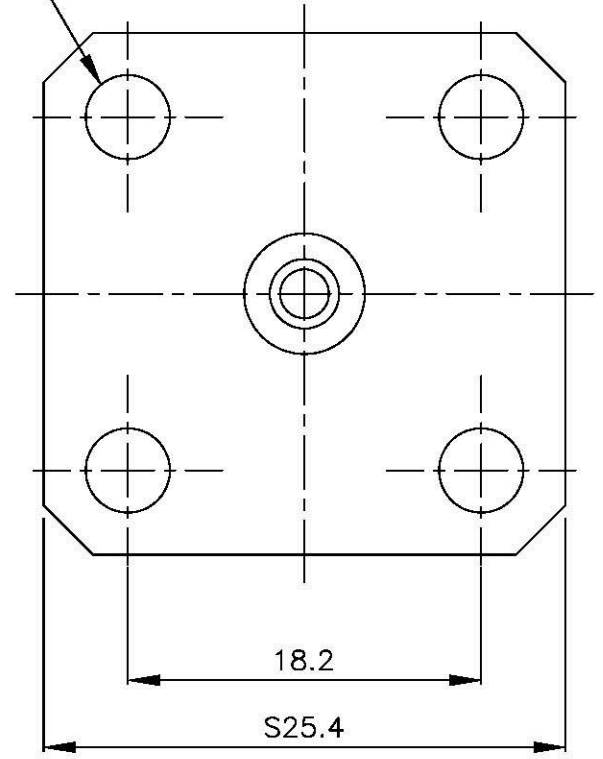
C

B

A



ø3.2x4

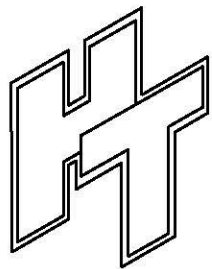


D

C

B

A



**All Connectors**

www.allconnectors.com  
TEL: 0019 211 2008203  
www.allconnectors.com.tw  
TEL: 0019 211 2008204  
www.allconnectors.com.hk  
TEL: 0019 211 2008205

TITLE SMA FEMALE PANEL MOUNTED

PART NO. SMA-84-TGN

DRAWING NO. SMA 84 TGN

DRAWN MARY DATE 96.03.16

CHECKED 蘇姿潔 DATE

Q.A. 馮健華 DATE

APPROVAL 徐燦霖 DATE

REVISION DATE

DIMENSIONS ARE IN MILLIMETERS

UNLESS OTHERWISE SPECIFIED TOLERANCE

0.5-5=±0.2 120-315=±1

5-30=±0.4 315-1000=±1.6

30-120±0.6 1000-2000=±2.4

SCALE 4:1 SIZE A

REVISION

DESCRIPTION ENGINEER

4

3

2

1