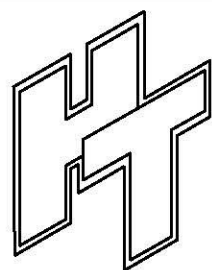
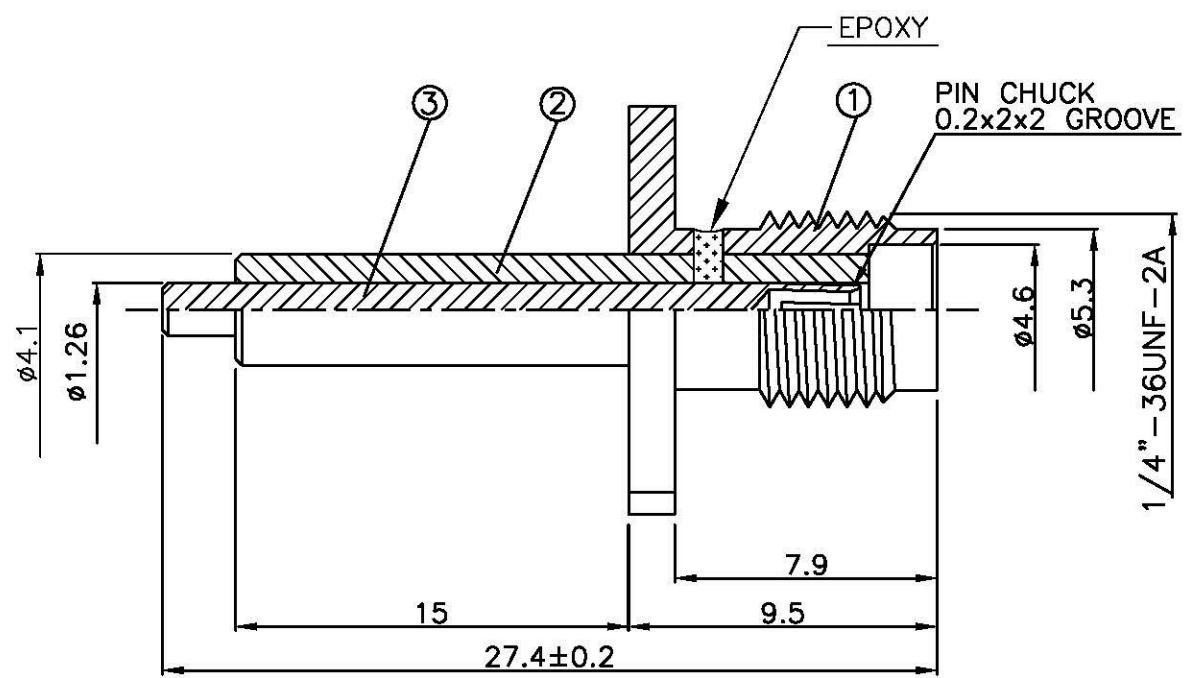
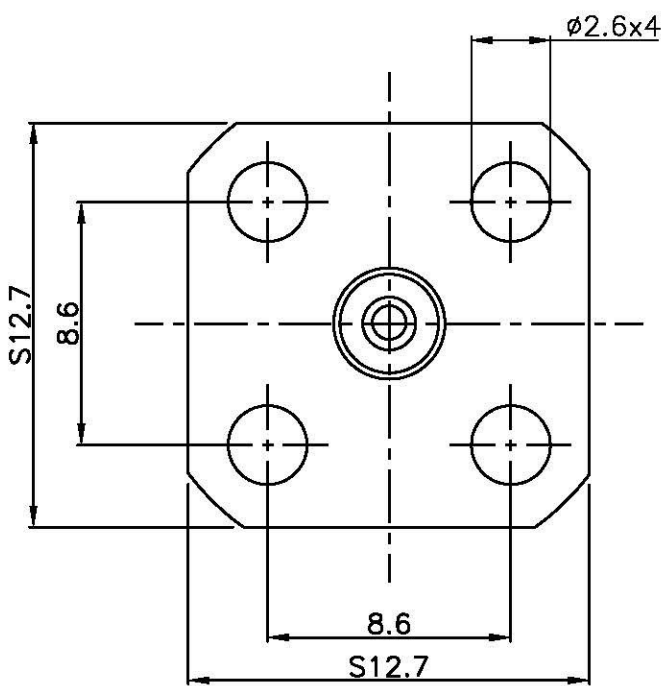
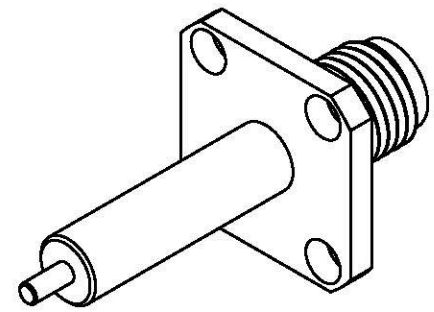


NO	DESCRIPTION	MATERIAL	Q'TY	FINISH	REMARK
1	BODY	BRASS	1	GOLD	B-SMA0756-G
2	INSULATION	TEFLON	1	TEFLON	I-0366T
3	PIN	BE CU	1	GOLD	P-SMA0530-G



**All Connectors**  
 www.allconnectors.de info@allconnectors.de  
 Tel: 0344 311 2050 Fax: 0344 311 2050  
 01941 Hildersdorf - Germany Katharmentstr. 21

TITLE SMA FEMALE PC MOUNT  
EPOXY NON CAPTIVATED

PART NO. SMA-82V13-TGG

DRAWING NO. SMA 82V13 TGG

DRAWN MARY DATE 96.03.14

CHECKED 蘇姿潔 DATE

Q.A. 馮健華 DATE

APPROVAL 徐燦霖 DATE

REVISION DATE

DIMENSIONS ARE IN MILLIMETER

UNLESS OTHERWISE SPECIFIED TOLERANCES

0.5-5 = ±0.2 120-315 = ±1

5-30 = ±0.4 315-1000 = ±1.6

30-120 = ±0.6 1000-2000 = ±2.4

SCALE 5:1 SIZE A

REVISION	
DESCRIPTION	ENGINEER