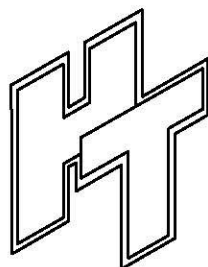
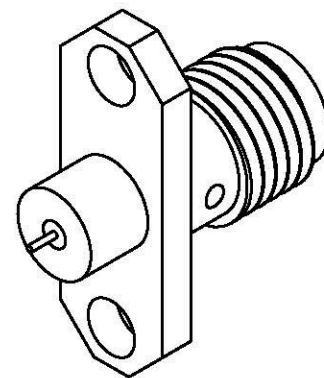
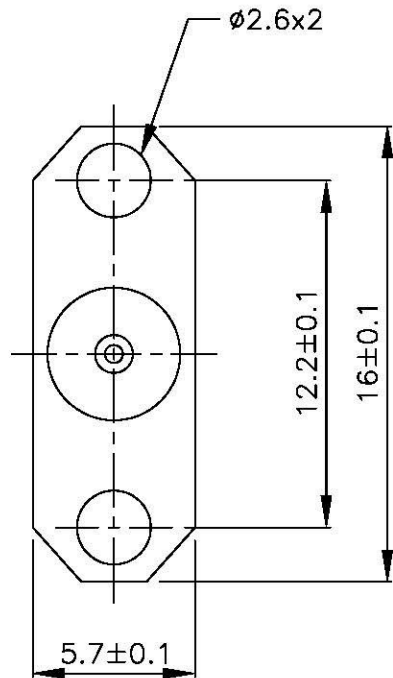
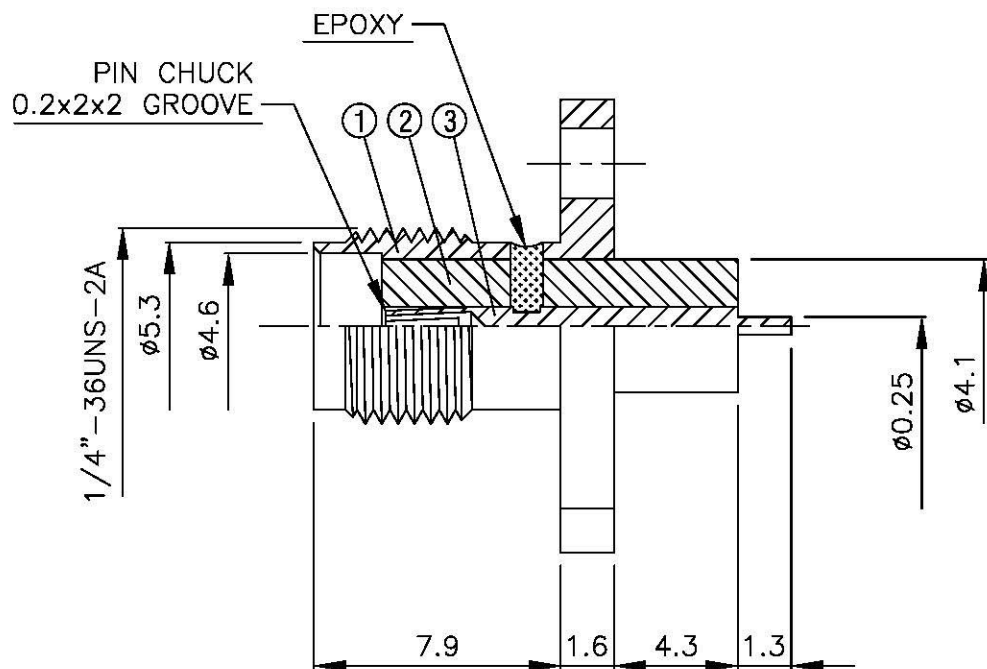


NO	DESCRIPTION	MATERIAL	Q'TY	FINISH	REMARK
1	BODY	BRASS	1	NICKEL	B-SMA0734-N
2	INSULATION	TEFLON	1	TEFLON	I-0505T
3	PIN	BE CU	1	GOLD	P-SMA0518-G



All Connectors
 www.allconnectors.de
 Tel.: 0049 711 7002503
 70754 Milderstadt - Germany
 info@allconnectors.de
 Fax: 0049 711 7002504
 Kettnerstr. 25

TITLE SMA FEMALE PC MOUNT
 EPOXY CAPTIVATED

PART NO. SMA-81V14-TGN

DRAWING NO. SMA 81V14 TGN

DRAWN MARY DATE 96.03.15

CHECKED 蘇姿潔 DATE

Q.A. 馮健華 DATE

APPROVA 徐燦霖 DATE

REVISION DATE

DIMENSIONS ARE IN MILLIMETERS

UNLESS OTHERWISE SPECIFIED
 TOLERANCE

0.5-5=±0.2	120-315=±1
5-30=±0.4	315-1000=±1.6
30-120±0.6	1000-2000=±2.4

SCALE 4:1 SIZE A

REVISION

DESCRIPTION	ENGINEER