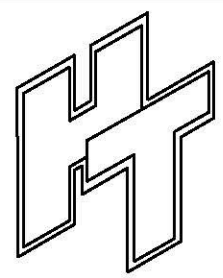
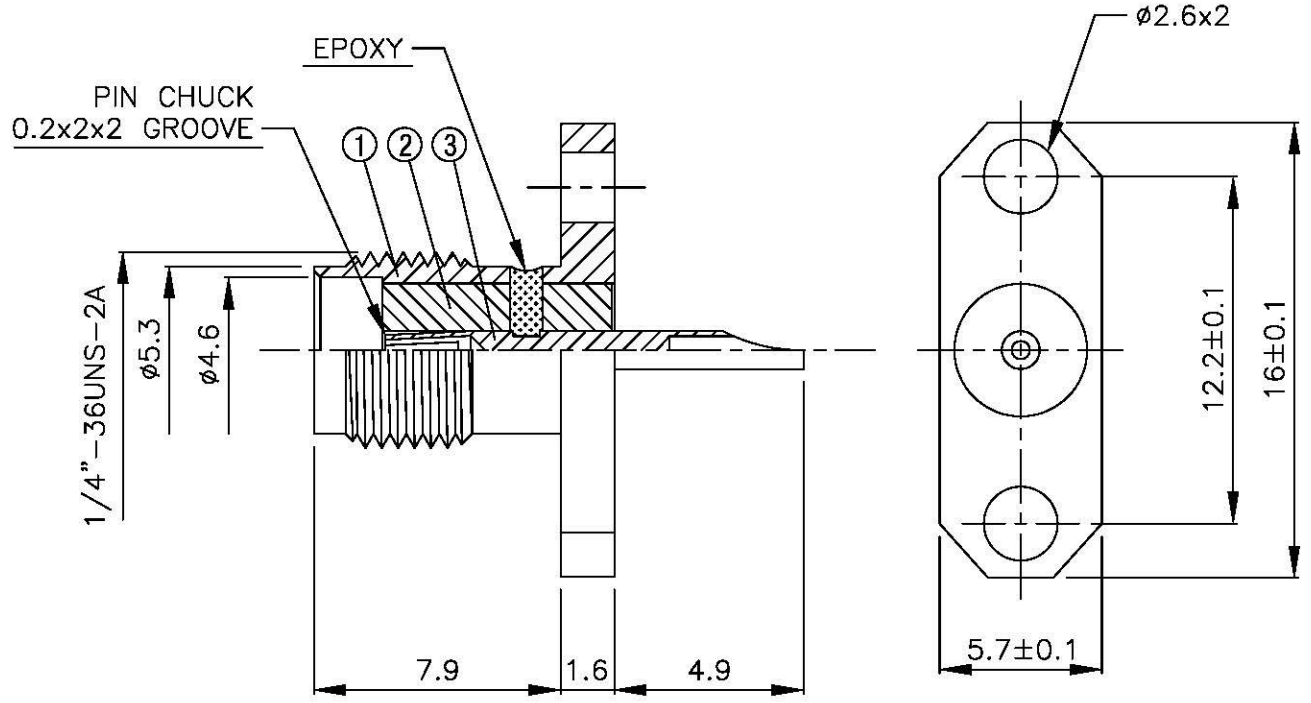
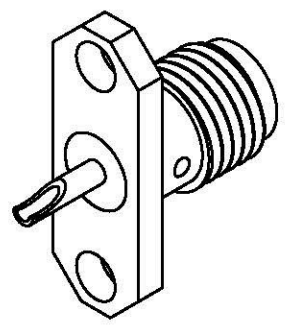


NO	DESCRIPTION	MATERIAL	Q'TY	FINISH	REMARK
1	BODY	BRASS	1	NICKEL	B-SMA0734-N
2	INSULATION	TEFLON	1	TEFLON	I-0369T
3	PIN	BE CU	1	GOLD	P-SMA0533-G



All Connectors
 www.allconnectors.de info@allconnectors.de
 Tel: +49 7070 211 2240/2403 Fax: +49 7070 211 2018/2011
 70794 Alldorfstadt, Germany Kettelerstr. 22

TITLE **SMA FEMALE PC MOUNT
EPOXY CAPTIVATED**

PART NO. **SMA-81-TGN**

DRAWING NO. **SMA 81 TGN**

DRAWN	MARY	DATE	96.03.15
CHECKED	蘇姿潔	DATE	
Q.A.	馮健華	DATE	
APPROVA	徐燦霖	DATE	
REVISION		DATE	

DIMENSIONS ARE IN MILLIMETERS

UNLESS OTHERWISE SPECIFIED TOLERANCE

0.5-5=±0.2	120-315=±1
5-30=±0.4	315-1000=±1.6
30-120±0.6	1000-2000=±2.4

SCALE 4:1 SIZE A

REVISION	
DESCRIPTION	ENGINEER