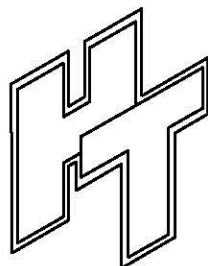
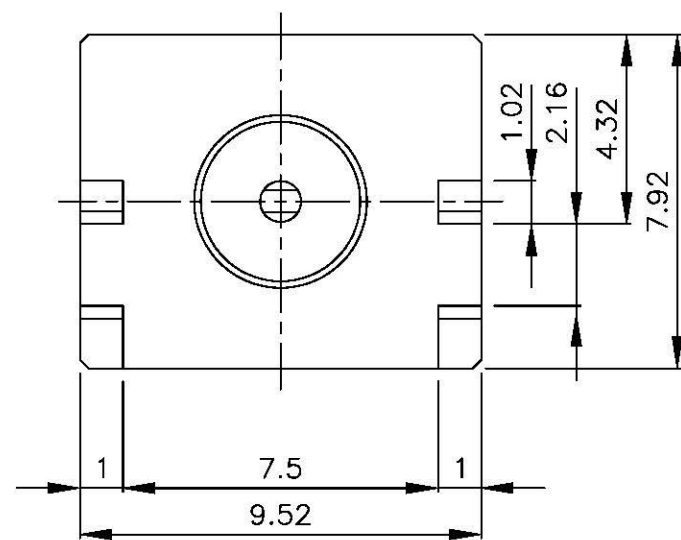
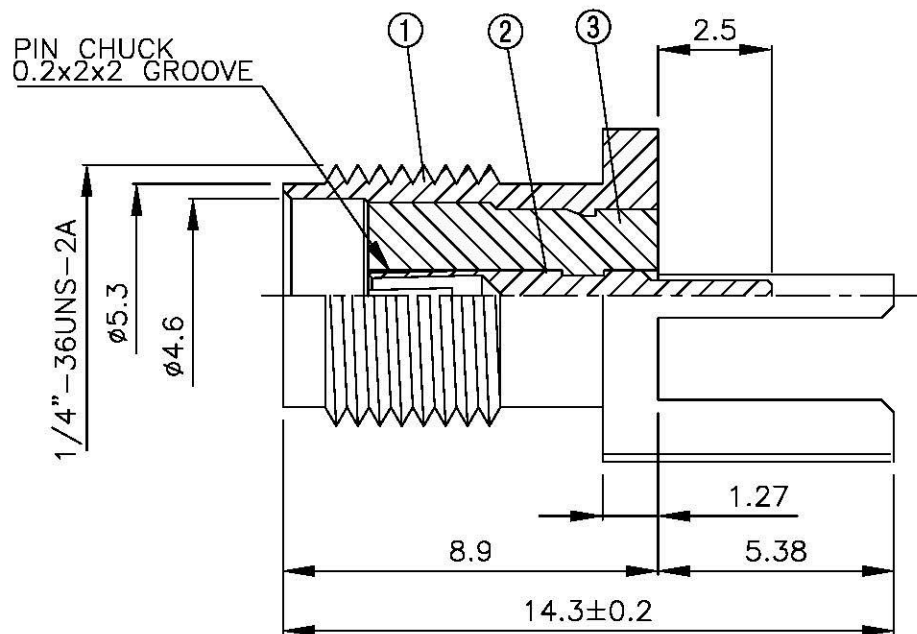
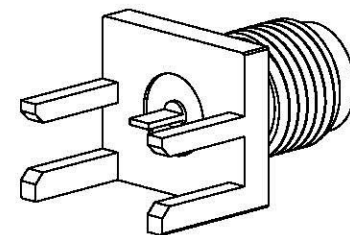


NO	DESCRIPTION	MATERIAL	Q'TY	FINISH	REMARK
1	BODY	BRASS	1	GOLD	B-SMA0491-G
2	PIN	BE CU	1	GOLD	P-SMA0339-G
3	INSULATION	TEFLON	1	TEFLON	I-0019T



All Connectors
 www.allconnectors.de info@allconnectors.de
 Tel.: 0049 733 3035504 Fax: 0049 733 3035505
 70794 Filderstadt - Germany Kellernstr. 25

TITLE SMA FEMALE END LAUNCH RECEPTACLE
 -TAB CONTACT (BOARD THICKNESS 2)

PART NO. SMA-80-TGG

DRAWING NO. SMA 80 TGG

DRAWN	MARY	DATE	92.04.24
CHECKED	蘇姿潔	DATE	
Q.A.	馮健華	DATE	
APPROVAL	徐燦霖	DATE	
REVISION		DATE	

DIMENSIONS ARE IN MILLIMETERS			
UNLESS OTHERWISE SPECIFIED TOLERANCE			
0.5-5=±0.2	120-315=±1		
5-30=±0.4	315-1000=±1.6		
30-120±0.6	1000-2000=±2.4		
SCALE	4:1	SIZE	A

REVISION	
DESCRIPTION	ENGINEER