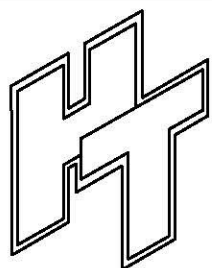
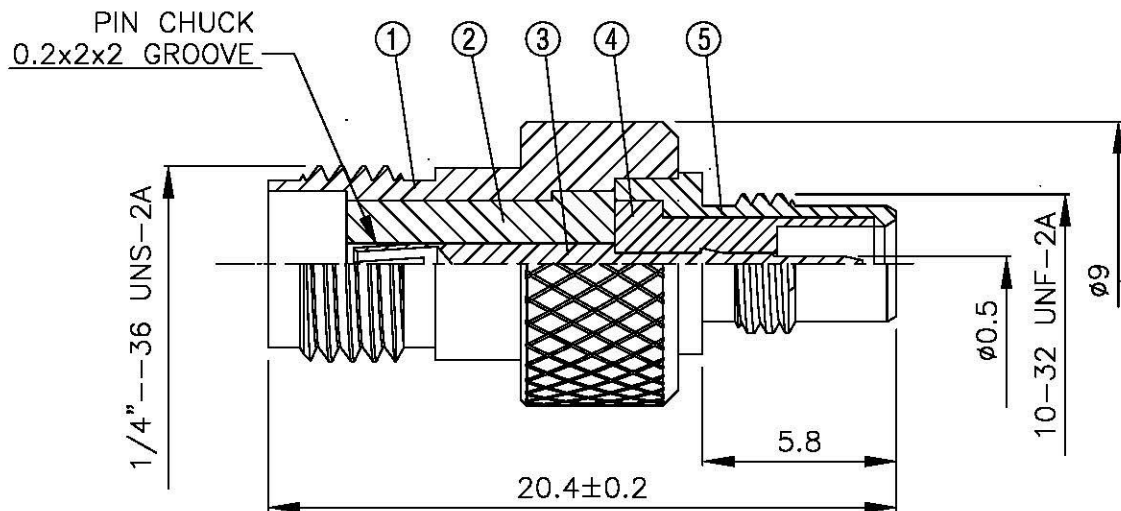
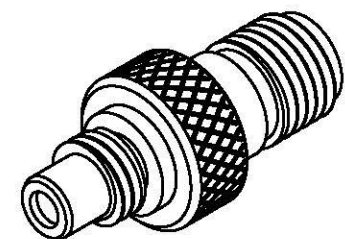


NO	DESCRIPTION	MATERIAL	Q' TY	FINISH	REMARK
1	BODY 1	BRASS	1	GOLD	B-SMA0632-G
2	INSULATION 1	TEFLON	1	TEFLON	I-0286T
3	PIN	BE CU	1	GOLD	P-SMB0414-G
4	INSULATION 2	TEFLON	1	TEFLON	I-0058T
5	BODY 2	BRASS	1	GOLD	B-SMC0333-G



**All Connectors**  
 www.allconnectors.de | info@allconnectors.de  
 TEL: 0049 711 2092580 | FAX: 0049 711 2092581  
 20299 Hamburg | Germany | Kollmannstr. 2b

TITLE SMA FEMALE - SMC MALE ADAPTOR

PART NO. SMA-66-TGG

DRAWING NO. SMA-66-TGG

DRAWN	MARY	DATE	96.03.27
CHECKED	蘇姿潔	DATE	
Q.A.	馮健華	DATE	
APPROVAL	徐燦霖	DATE	
REVISION		DATE	

DIMENSIONS ARE IN MILLIMETERS			
UNLESS OTHERWISE SPECIFIED TOLERANCE			
0.5-5=±0.2	120-315=±1		
5-30=±0.4	315-1000=±1.6		
30-120±0.6	1000-2000=±2.4		
SCALE	4:1	SIZE	A

REVISION	
DESCRIPTION	ENGINEER