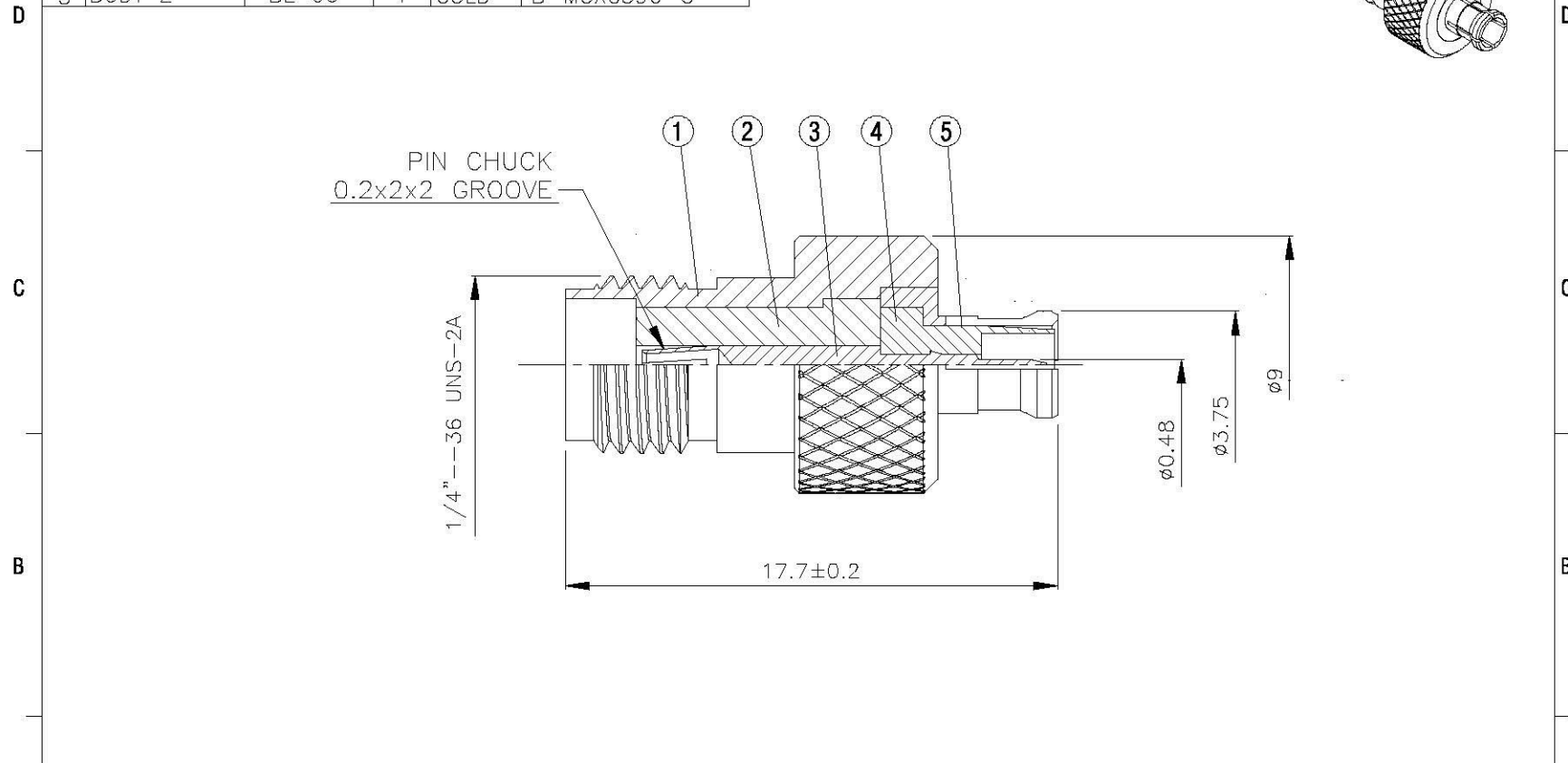
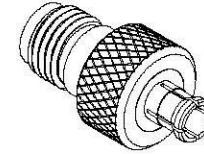


NO	DESCRIPTION	MATERIAL	Q'TY	FINISH	REMARK
1	BODY 1	BRASS	1	GOLD	B-SMA0632-G
2	INSULATION 1	TEFLON	1	TEFLON	I-0286T
3	PIN	BE CU	1	GOLD	P-MCX0405-G
4	INSULATION 2	TEFLON	1	TEFLON	I-0276T
5	BODY 2	BE CU	1	GOLD	B-MCX0596-G



		DRAWN	MARY	DATE	96.03.27	DIMENSIONS ARE IN MILLIMETERS			REVISION				
	<small>www.allconnectors.com Tel: 0049 711 7003303 70754 Filzschtein, Germany</small>	<small>info@allconnectors.com Fax: 0049 711 7009004 Katharinenstr. 35</small>	CHECKED	蘇志欣	DATE						97.05.30	UNLESS OTHERWISE SPECIFIED TOLERANCE	
	TITLE		SMA FEMALE - MCX MALE ADAPTOR		Q.A.	蘇姿潔	DATE						
	PART NO.		SMA-64-TGG		APPROVAL	徐慶霖	DATE						
	DRAWING NO.		SMA 64 TGG		REVISION		DATE						
		SCALE	4:1	SIZE	A								