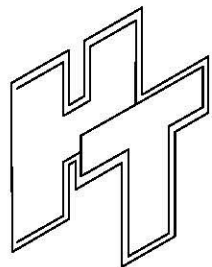
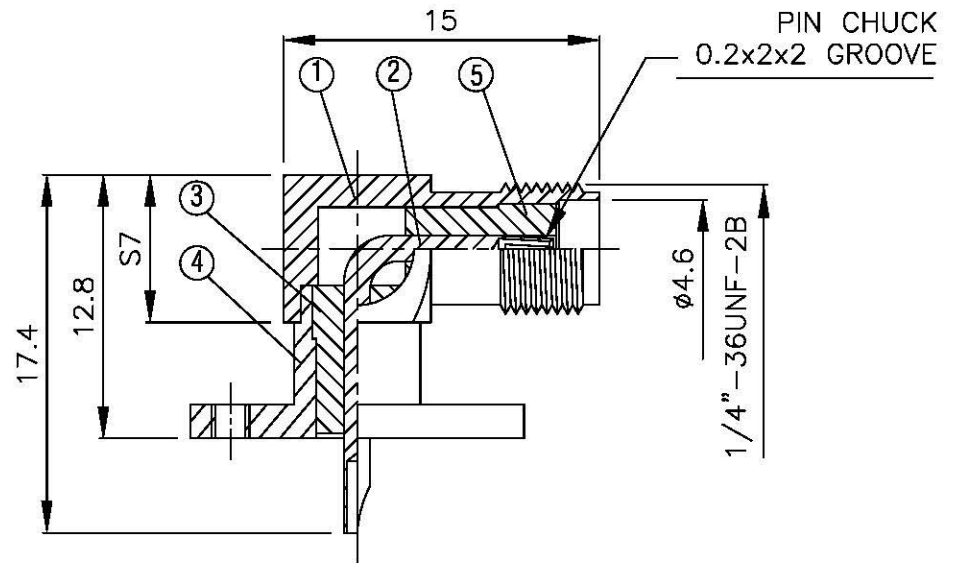
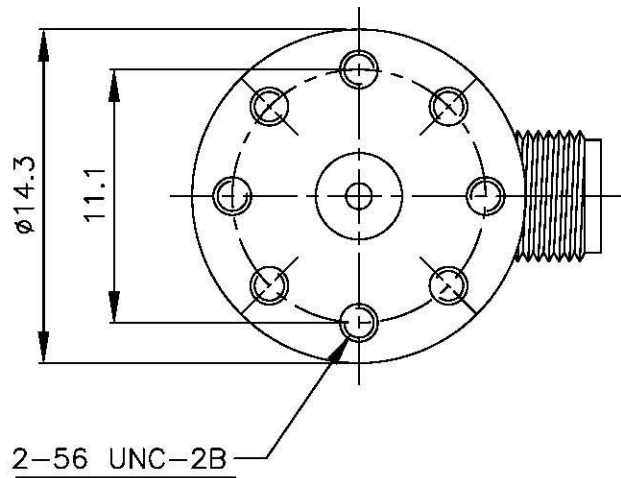
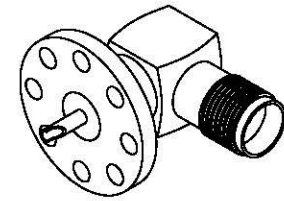


NO	DESCRIPTION	MATERIAL	Q'TY	FINISH	REMARK
1	BODY 1	BRASS	1	NICKEL	B-SMA0317-N
2	PIN	BE CU	1	GOLD	P-SMA0251-G
3	INSULATION	TEFLON	1	TEFLON	I-0272T
4	BODY 2	BRASS	1	GOLD	B-SMA0558-G
5	INSULATION	TEFLON	1	TEFLON	I-0151T



**All Connectors**

www.allconnectors.com  
 info@allconnectors.com  
 70724 Hildenstadt - Germany  
 Kettnerstr. 25

TITLE SMA RIGHT ANGLE JACK 4 SURFACE LAUNCH STRIPLINE

PART NO. SMA-57-TGN

DRAWING NO. SMA 57 TGN

DRAWN	MARY	DATE	92.07.22
CHECKED	蘇姿潔	DATE	
Q.A.	馮健華	DATE	
APPROVAL	徐燦霖	DATE	
REVISION		DATE	

DIMENSIONS ARE IN MILLIMETERS			
UNLESS OTHERWISE SPECIFIED TOLERANCE			
0.5-5=±0.2	120-315=±1		
5-30=±0.4	315-1000=±1.6		
30-120±0.6	1000-2000=±2.4		
SCALE	4:1	SIZE	A

REVISION	
DESCRIPTION	ENGINEER