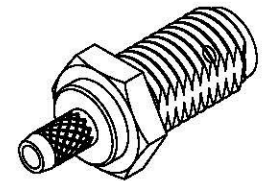
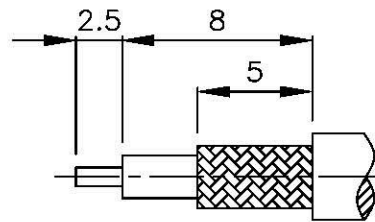
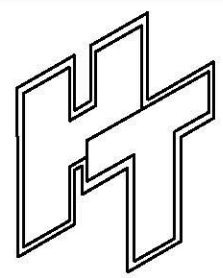
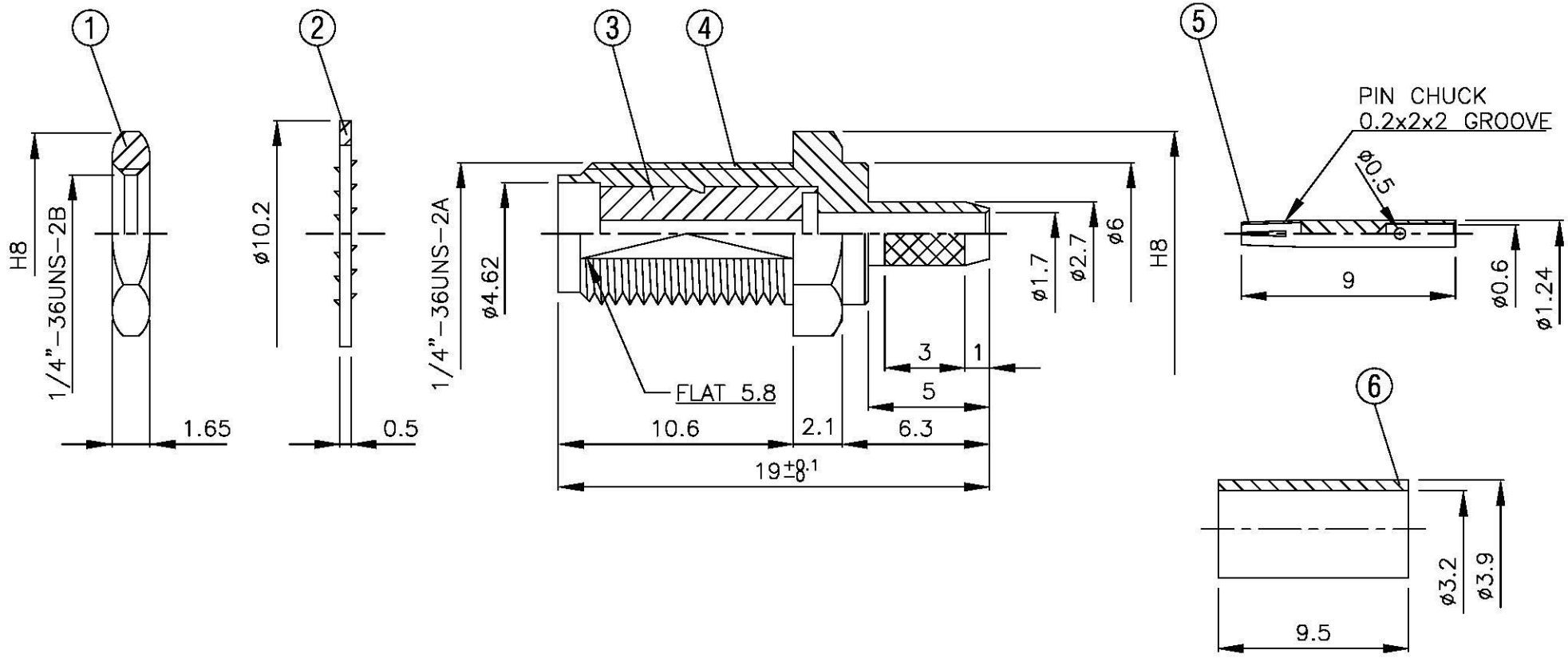


NO	DESCRIPTION	MATERIAL	Q'TY	FINISH	REMARK
1	NUT	BRASS	1	NICKEL	N-0006
2	WASHER	BRASS	1	NICKEL	W-0016
3	INSULATION	TEFLON	1	TEFLON	I-0131T
4	BODY	BRASS	1	NICKEL	B-SMA0506-N
5	PIN	BE CU	1	GOLD	P-SMA0056-G
6	RING	BRASS	1	NICKEL	R-0002



(Recommended Stripping Dimension)



All Connectors
 www.allconnectors.com
 Tel: 0049 724 7005049 Fax: 0049 724 7005044
 70754 Hiltorfstr. 1, 54461 Hiltorf, Germany
 Tel: 0049 724 7005049 Fax: 0049 724 7005044
 70754 Hiltorfstr. 1, 54461 Hiltorf, Germany

TITLE SMA FEMALE CRIMP FOR RG 174/U ,RG 316/U

PART NO. SMA-56LV1-TGN

DRAWING NO. SMA 56LV1 TGN

DRAWN MARY DATE 96.03.20

CHECKED 黃巧君 DATE 96.03.20

Q.A. 蘇姿潔 DATE

APPROVAL 徐燦霖 DATE

REVISION DATE

DIMENSIONS ARE IN MILLIMETERS

UNLESS OTHERWISE SPECIFIED TOLERANCE

0.5-5=±0.2 120-315=±1

5-30=±0.4 315-1000=±1.6

30-120±0.6 1000-2000=±2.4

SCALE 4:1 SIZE A

REVISION	
DESCRIPTION	ENGINEER