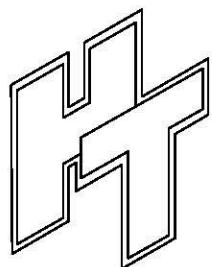
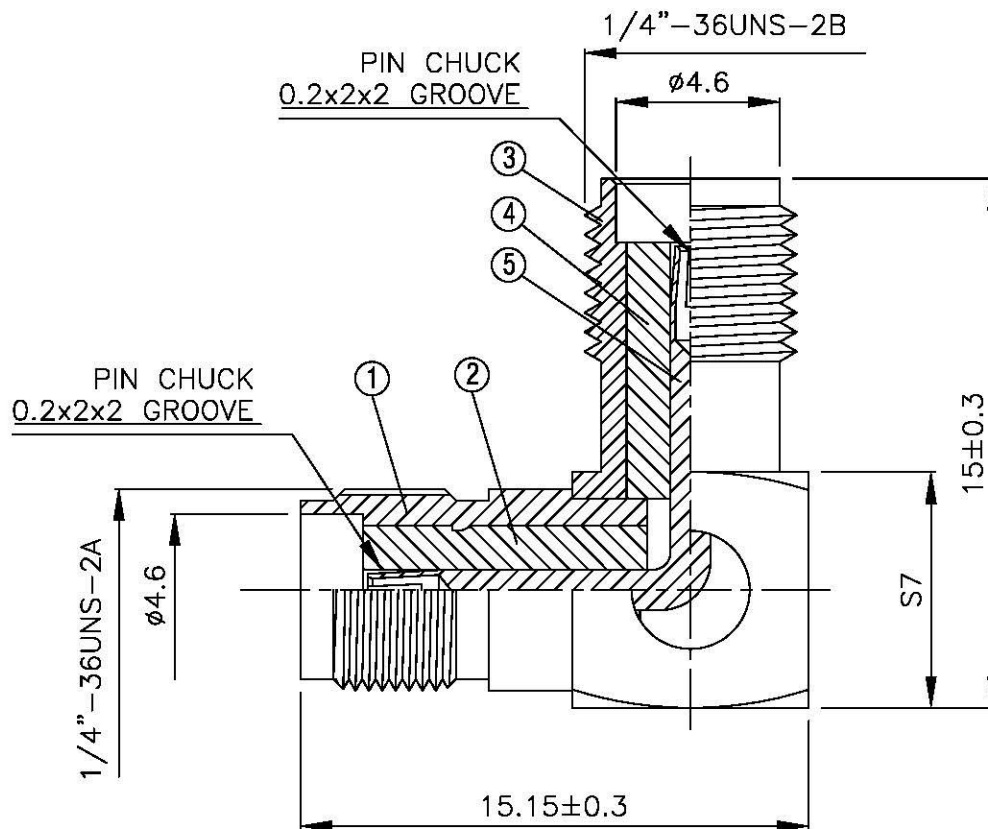
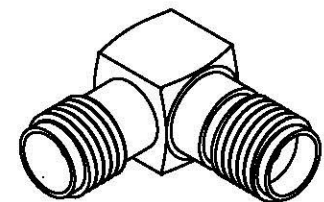


NO	DESCRIPTION	MATERIAL	Q'TY	FINISH	REMARK
1	BODY 1	BRASS	1	NICKEL	B-SMA0065-N
2	INSULATION 1	TEFLON	1	TEFLON	I-0126T
3	BODY 2	BRASS	1	NICKEL	B-SMA0317-N
4	INSULATION 2	TEFLON	1	TEFLON	I-0151T
5	PIN	BE CU	1	GOLD	P-SMA0275-G



**All Connectors**  
 www.allconnectors.de  
 info@allconnectors.de  
 Tel: 0949 711 209302  
 Fax: 0949 711 209304  
 70754 Hiltorstadt, Germany  
 Kollmehrsstr. 25

TITLE  
**SMA FEMALE ANGLE - FEMALE ADAPTOR**

PART NO.  
**SMA-54-TGN**

DRAWING NO.  
**SMA 54 TGN**

DRAWN MARY DATE 96.03.15

CHECKED 黄巧君 DATE

Q.A. 蘇姿潔 DATE

APPROVAL 徐燦霖 DATE

REVISION DATE

DIMENSIONS ARE IN MILLIMETERS

UNLESS OTHERWISE SPECIFIED TOLERANCE

0.5-5=±0.2 120-315=±1

5-30=±0.4 315-1000=±1.6

30-120±0.6 1000-2000=±2.4

SCALE 4:1 SIZE A

REVISION

DESCRIPTION ENGINEER