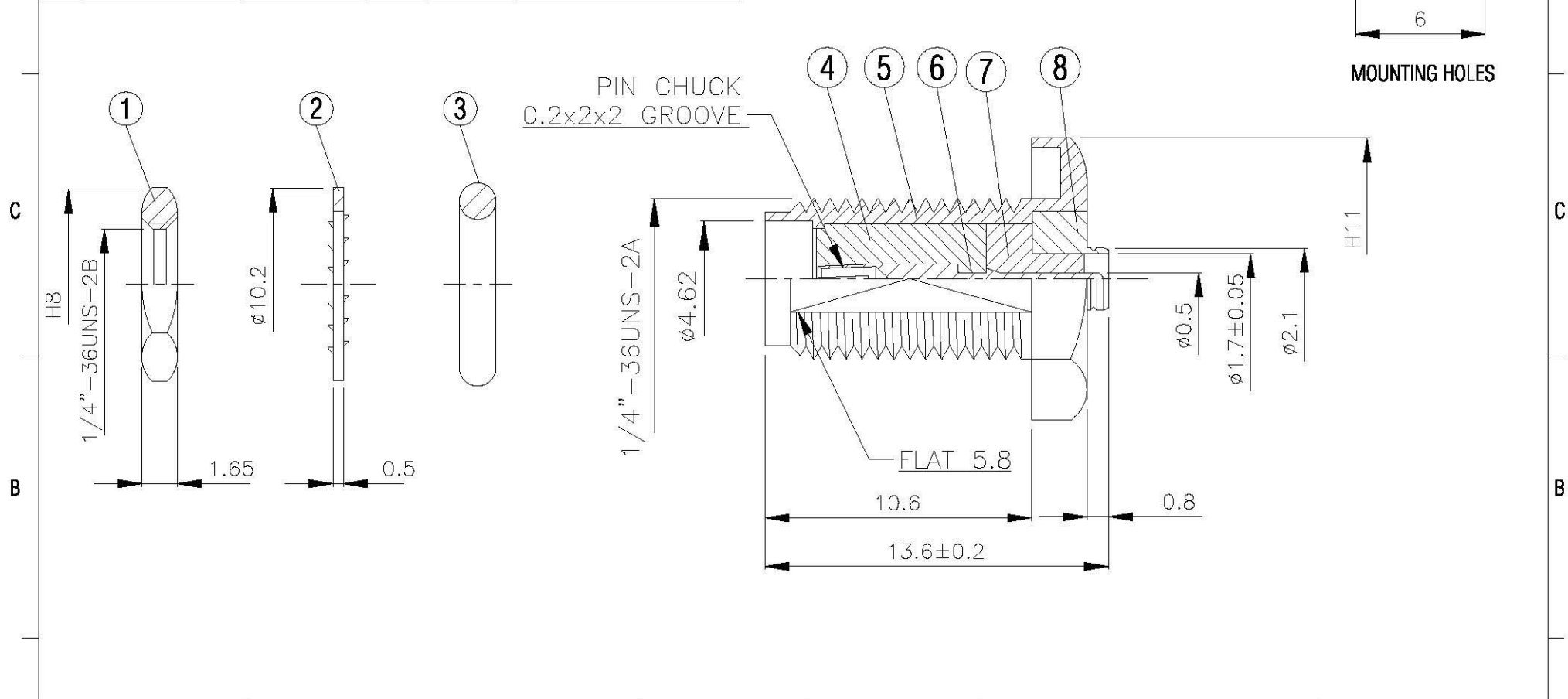
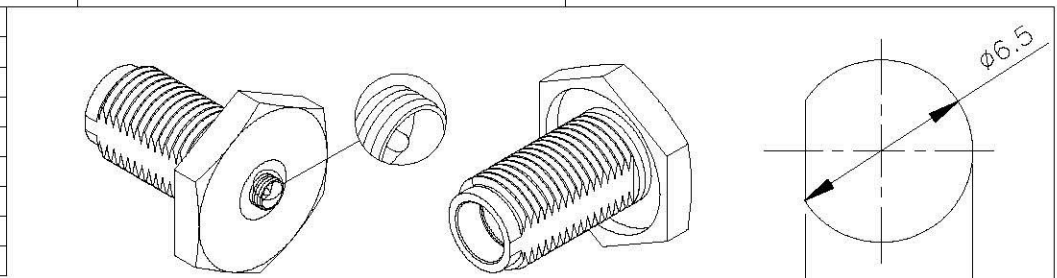


NO	DESCRIPTION	MATERIAL	Q'TY	FINISH	REMARK
1	NUT	BRASS	1	NICKEL	N-0006-N
2	WASHER	BRASS	1	NICKEL	W-0016-N
3	GASKET	SI RUBBER	1	RUBBER	RU-0014
4	INSULATION 1	TEFLON	1	TEFLON	I-0278T
5	BODY	BRASS	1	NICKEL	B-SMA0598-N
6	PIN	BE CU	1	GOLD	P-SMA0391-G
7	INSULATION 2	TEFLON	1	TEFLON	I-0022T
8	BODY	BRASS	1	GOLD	B-SMT0560-G



	All Connectors <small>www.allconnectors.de Tel.: 0049 711 7002500 01748 4182000 - 01748 4182001</small>	DRAWN MARY CHECKED 蘇志欣 Q.A. 蘇姿潔 APPROVAL 徐燦霖 REVISION	DATE 96.08.29 DATE DATE DATE DATE	DIMENSIONS ARE IN MILLIMETERS UNLESS OTHERWISE SPECIFIED TOLERANCE 0.5-5=±0.2 120-315=±1 5-30= ±0.4 315-1000=±1.6 30-120±0.6 1000-2000=±2.4	REVISION	
	TITLE SMA FEMALE -UFL GSC FEMALE	PART NO. SMA-51V4-TGN	DRAWING NO. SMA 51V4 TGN	SCALE 4:1 SIZE A	DESCRIPTION	ENGINEER

4

3

2

1

A

A