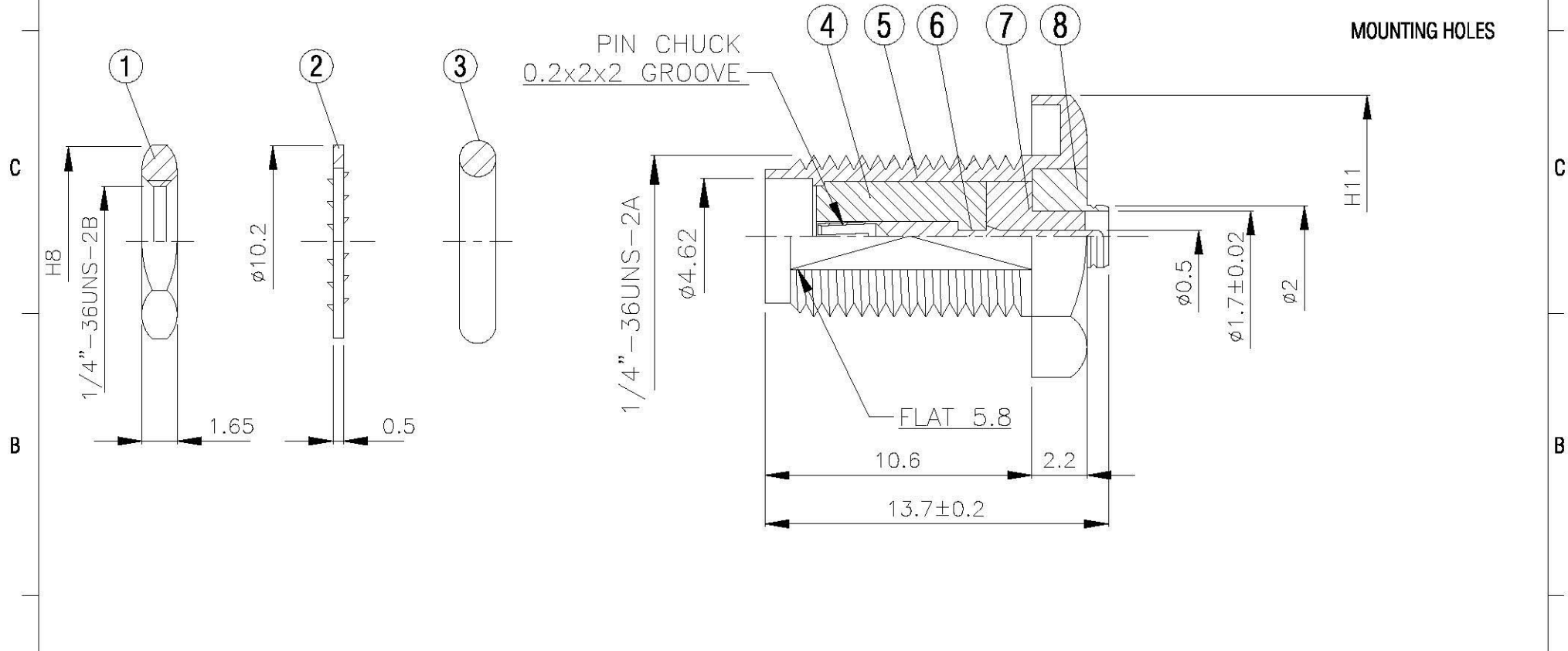
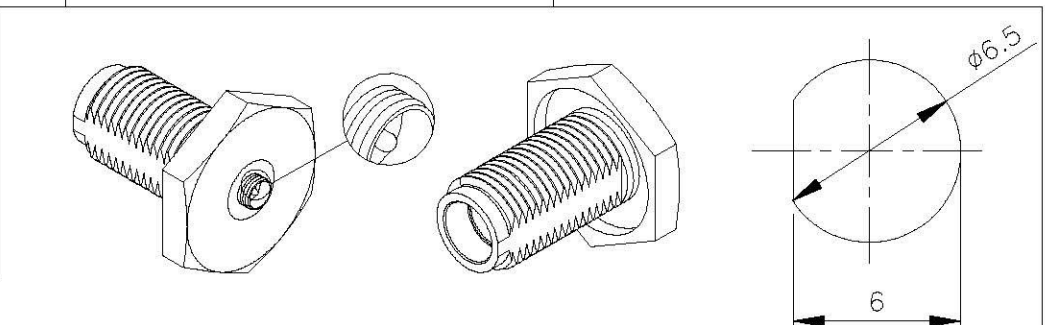


NO	DESCRIPTION	MATERIAL	Q'TY	FINISH	REMARK
1	NUT	BRASS	1	NICKEL	N-0006-N
2	WASHER	BRASS	1	NICKEL	W-0016-N
3	GASKET	SI RUBBER	1	RUBBER	RU-0014
4	INSULATION 1	TEFLON	1	TEFLON	I-0278T
5	BODY	BRASS	1	NICKEL	B-SMA0598-N
6	PIN	BE CU	1	GOLD	P-SMA0391-G
7	INSULATION 2	TEFLON	1	TEFLON	I-0022T
8	BODY	BRASS	1	GOLD	B-SMT0599-G



		DRAWN MARY DATE 97.04.14	DIMENSIONS ARE IN MILLIMETERS		REVISION		
	<small>www.allconnectors.de Tel: 0049 711 7009508 70794 Hilderolsheim Germany</small>	<small>Info@allconnectors.de Fax: 0049 711 7009504 Kollmannstr. 25</small>	CHECKED  DATE	UNLESS OTHERWISE SPECIFIED TOLERANCE		DESCRIPTION	ENGINEER
	TITLE SMA FEMALE -UFL SMT FEMALE		Q.A.  DATE	0.5-5=±0.2 120-315=±1			
			APPROVAL  DATE	5-30= ±0.4 315-1000=±1.6			
	PART NO. SMA-51-TGN		REVISION DATE	30-120±0.6 1000-2000=±2.4	SCALE 4:1 SIZE A		
DRAWING NO. SMA 51 TGN							

4

3

2

1

A

A