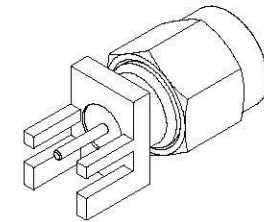


NO	DESCRIPTION	MATERIAL	Q'TY	FINISH	REMARK
1	SHELL	BRASS	1	GOLD	B-SMA0043-N
2	GASKET	SI RUBBER	1	RUBBER	RU-0008
3	WASHER	PH.BRONZE	1	GOLD	W-0012
4	BODY	BRASS	1	GOLD	B-SMA0819-G
5	INSULATION	TEFLON	1	TEFLON	I-0132T
6	PIN	BE CU	1	GOLD	P-SMA0103-G



D

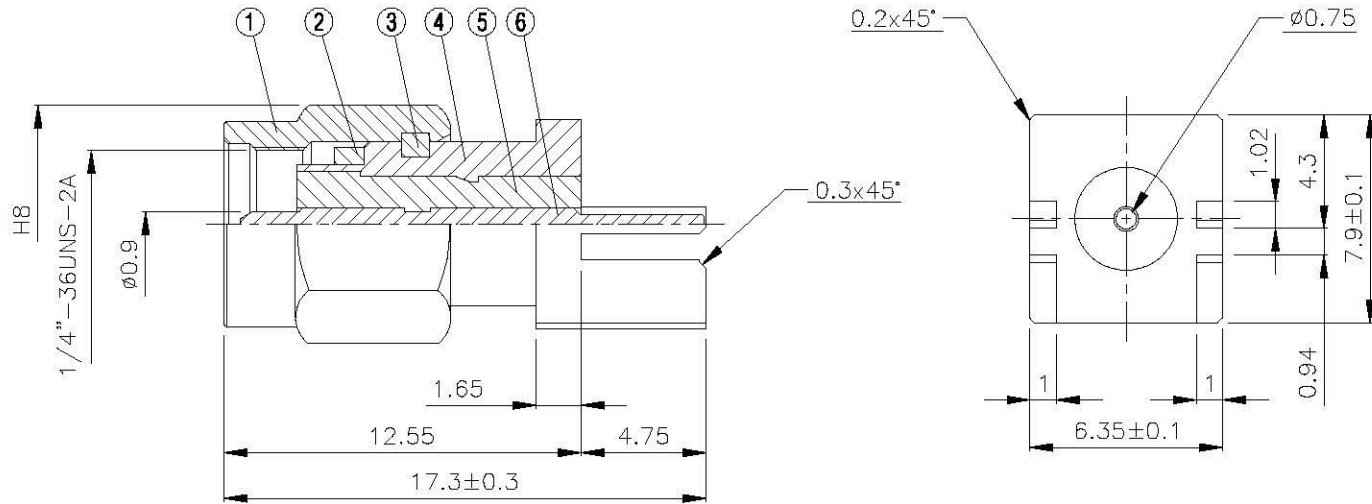
D

C

C

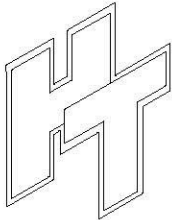
B

B



A

A



Allconnectors

www.allconn.de
 TEL: 0049 711 700560
 all@allconnectors.de
 info@allconnectors.de
 TEL: 0049 711 700564
 all@allconnectors.de
 info@allconnectors.de

TITLE **SMA MALE END LAUNCH
 TAB CONTACT (BOARD THICKNESS 0.79)**

PART NO. **SMA-50V9-TGG**

DRAWING NO. **SMA 50V9 TGG**

DRAWN **MARY** DATE **96.03.27**

CHECKED **蘇志欣** DATE **97.07.04**

Q.A. **蘇姿潔** DATE

APPROVAL **徐家霖** DATE

REVISION DATE

DIMENSIONS ARE IN MILLIMETERS

UNLESS OTHERWISE SPECIFIED
 TOLERANCE
 0.5-5=±0.2 120-315=±1
 5-30=±0.4 315-1000=±1.6
 30-120=±0.6 1000-2000=±2.4

SCALE **4:1** SIZE **A**

REVISION

DESCRIPTION ENGINEER

4

3

2

1