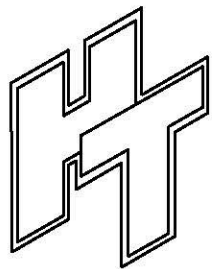
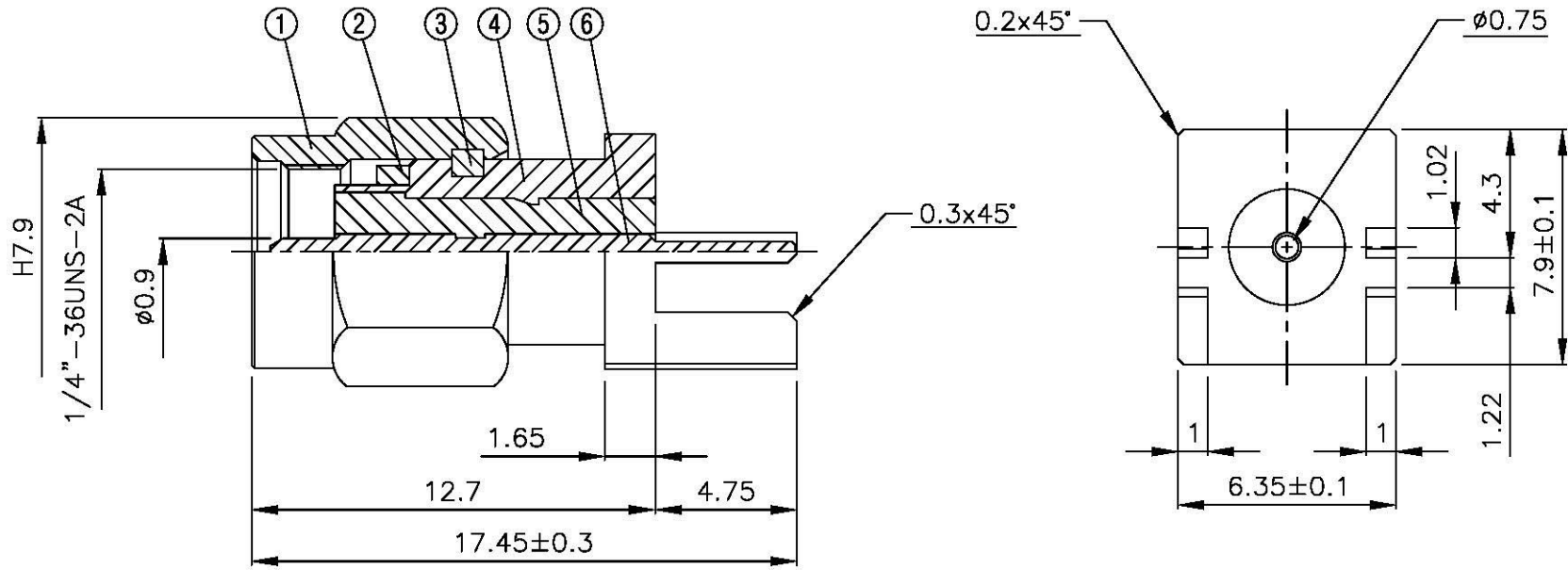
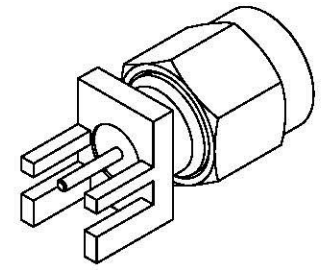


NO	DESCRIPTION	MATERIAL	Q'TY	FINISH	REMARK
1	SHELL	BRASS	1	GOLD	B-SMA0043-N
2	GASKET	SI RUBBER	1	RUBBER	RU-0008
3	WASHER	PH.BRONZE	1	GOLD	W-0012
4	BODY	BRASS	1	GOLD	B-SMA0820-G
5	INSULATION	TEFLON	1	TEFLON	I-0132T
6	PIN	BE CU	1	GOLD	



All Connectors
 www.allconnectors.de
 info@allconnectors.de
 +49 391 211 40240
 +49 391 211 40241
 +49 391 211 40242

TITLE SMA MALE END LAUNCH
 REVERSE POLARITY (1.07)

PART NO. SMA-50V8-TGG

DRAWING NO. SMA 50V8 TGG

DRAWN	MARY	DATE	96.03.27
CHECKED	蘇姿潔	DATE	
Q.A.	馮健華	DATE	
APPROVAL	徐燦霖	DATE	
REVISION		DATE	

DIMENSIONS ARE IN MILLIMETERS			
UNLESS OTHERWISE SPECIFIED TOLERANCE			
0.5-5=±0.2	120-315=±1		
5-30=±0.4	315-1000=±1.6		
30-120±0.6	1000-2000=±2.4		
SCALE	4:1	SIZE	A

REVISION	
DESCRIPTION	ENGINEER