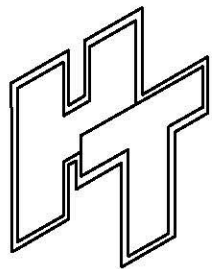
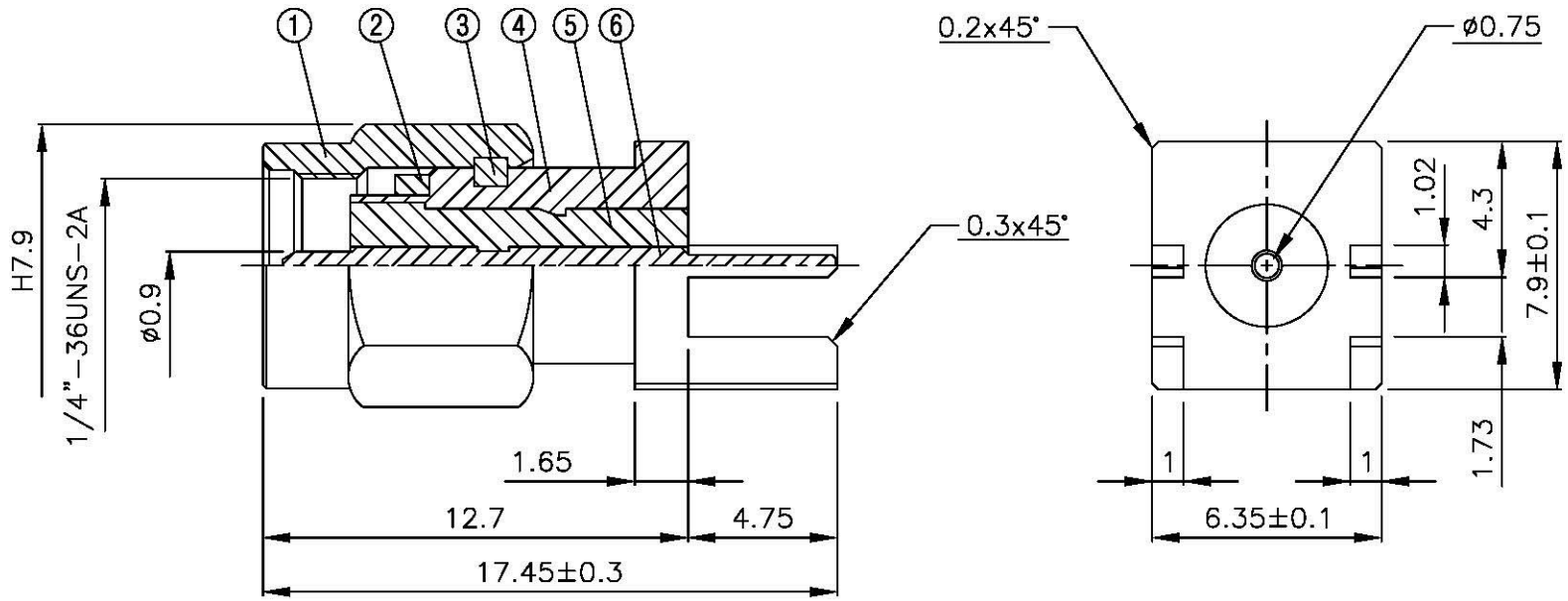
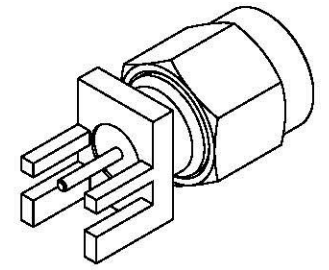


| NO | DESCRIPTION | MATERIAL | Q'TY | FINISH | REMARK |
|----|-------------|-----------|------|--------|-------------|
| 1 | SHELL | BRASS | 1 | GOLD | B-SMA0043-N |
| 2 | GASKET | SI RUBBER | 1 | RUBBER | RU-0008 |
| 3 | WASHER | PH.BRONZE | 1 | GOLD | W-0012 |
| 4 | BODY | BRASS | 1 | GOLD | B-SMA0821-G |
| 5 | INSULATION | TEFLON | 1 | TEFLON | I-0132T |
| 6 | PIN | BE CU | 1 | GOLD | |



All Connectors
 www.allconnectors.com
 Tel: 0070 711 908803 Fax: 0070 711 908804
 20724 Pilsen road - Germany Kettnerstr. 27

TITLE SMA MALE END LAUNCH REVERSE POLARITY (1.57)
 PART NO. SMA-50V7-TGG
 DRAWING NO. SMA 50V7 TGG

DRAWN MARY DATE 96.03.27
 CHECKED 蘇姿潔 DATE
 Q.A. 馮健華 DATE
 APPROVAL 徐燦霖 DATE
 REVISION DATE

DIMENSIONS ARE IN MILLIMETERS
 UNLESS OTHERWISE SPECIFIED TOLERANCE
 0.5-5=±0.2 120-315=±1
 5-30=±0.4 315-1000=±1.6
 30-120±0.6 1000-2000=±2.4
 SCALE 4:1 SIZE A

| REVISION | |
|-------------|----------|
| DESCRIPTION | ENGINEER |
| | |
| | |
| | |