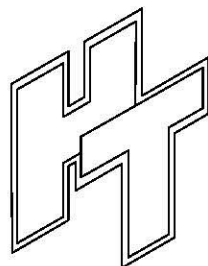
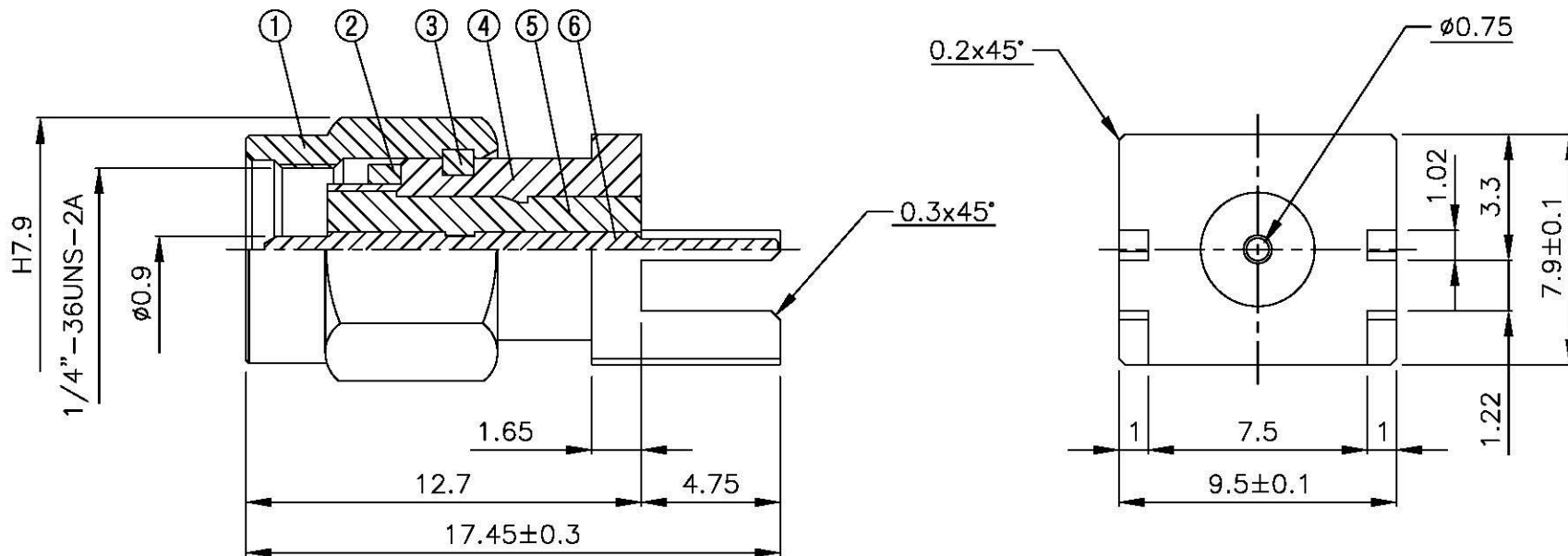
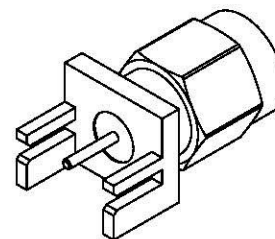


NO	DESCRIPTION	MATERIAL	Q'TY	FINISH	REMARK
1	SHELL	BRASS	1	NICKEL	B-SMA0043-N
2	GASKET	SI RUBBER	1	RUBBER	RU-0008
3	WASHER	PH.BRONZE	1	NICKEL	W-0012
4	BODY	BRASS	1	NICKEL	B-SMA0746-N
5	INSULATION	TEFLON	1	TEFLON	I-0132T
6	PIN	BRASS	1	GOLD	P-SMA0103-G



All Connectors

www.allconnectors.de
TEL: 0049 211 7069305
www.heldel.de | Germany

DRAWN MARY DATE 96.03.27

CHECKED 黄巧君 DATE

Q.A. 蘇姿潔 DATE

APPROVAL 徐燦霖 DATE

REVISION DATE

DIMENSIONS ARE IN MILLIMETERS

UNLESS OTHERWISE SPECIFIED TOLERANCE

0.5-5=±0.2 120-315=±1

5-30=±0.4 315-1000=±1.6

30-120±0.6 1000-2000=±2.4

REVISION

DESCRIPTION ENGINEER

TITLE SMA MALE END LAUNCH BOARD THICKNESS (1.07)

PART NO. SMA-50V5-TGN

DRAWING NO. SMA 50V5 TGN

SCALE 4:1 SIZE A