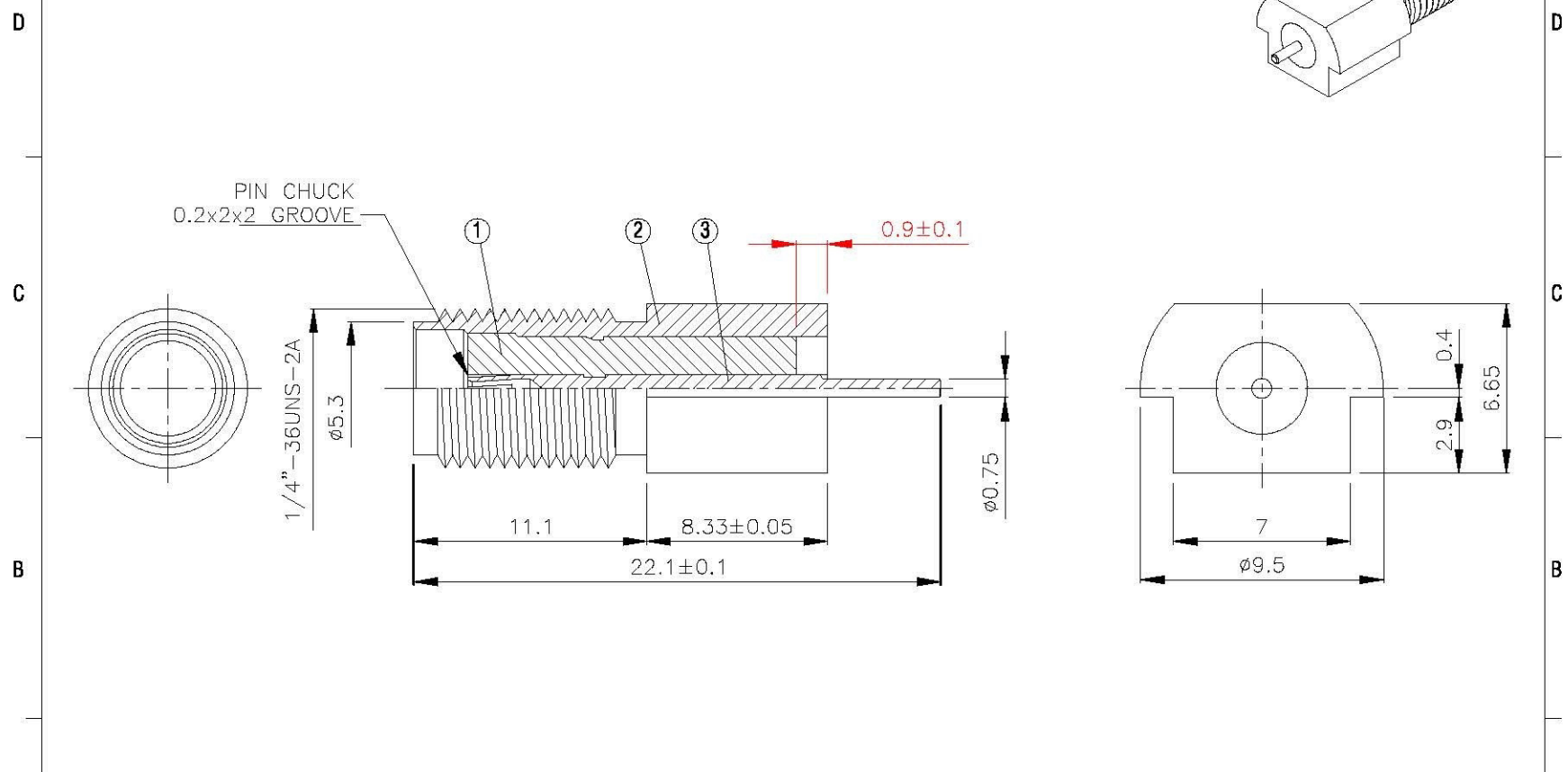
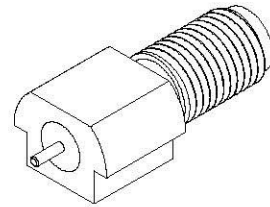
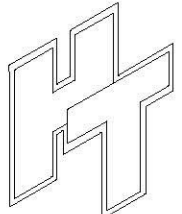



NO	DESCRIPTION	MATERIAL	Q'TY	FINISH	REMARK
1	INSULATION	TEFLON	1	TEFLON	I-0597T
2	BODY	BRASS	1	GOLD	B-SMA1186-G
3	PIN	BE CU	1	GOLD	P-SMA0844-G



		DRAWN	MARY	DATE	96.05.17	DIMENSIONS ARE IN MILLIMETERS			REVISION			
	<small>www.allconnectors.de Tel: 0049 714 700900 WZ 11 Hildersloh • Germany</small>	<small>info@allconnectors.de Fax: 0049 714 700901 Kettnerstr. 25</small>	CHECKED	蘇姿潔	DATE		UNLESS OTHERWISE SPECIFIED TOLERANCE			DESCRIPTION	ENGINEER	
	TITLE		SMA FEMALE END LAUNCH		Q.A.	馮健華	DATE		0.5-5=±0.2	120-315=±1	A	蘇姿潔
	PART NO.		SMA-48V5-TGG		APPROVAL	徐燦霖	DATE		5-30=±0.4	315-1000=±1.6		
	DRAWING NO.		SMA 48V5 TGG		REVISION		DATE		30-120±0.6	1000-2000=±2.4		
		SCALE	4:1	SIZE	A							