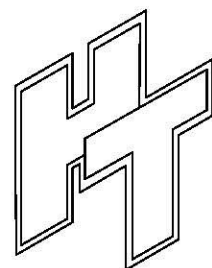
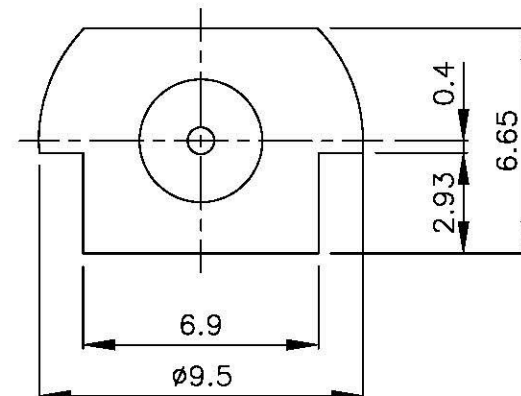
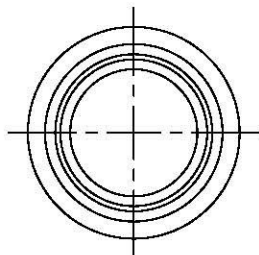
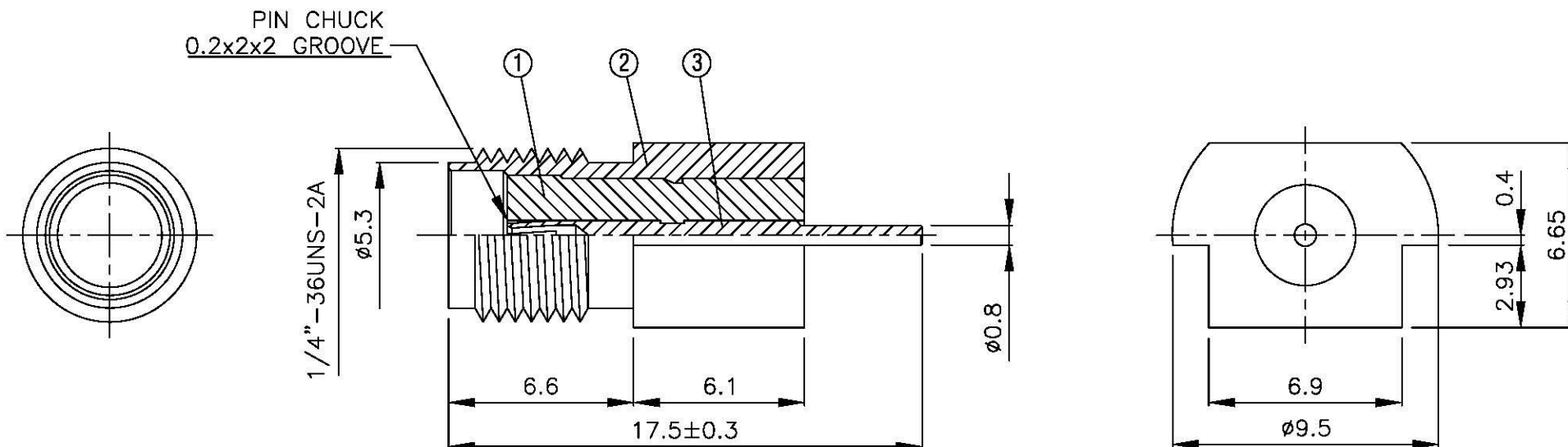
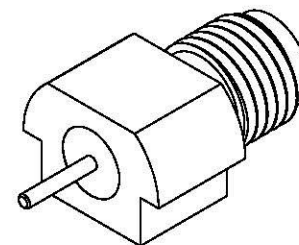


NO	DESCRIPTION	MATERIAL	Q'TY	FINISH	REMARK
1	INSULATION	TEFLON	1	TEFLON	I-0016T
2	BODY	BRASS	1	GOLD	B-SMA0156-G
3	PIN	BE CU	1	GOLD	P-SMA0098-G



All Connectors
 www.allconnectors.de
 info@allconnectors.de
 TEL: 0049 711 2094903
 FAX: 0049 711 2094904
 KÜCKENBURG STR. 26
 40699 DORTMUND, GERMANY

TITLE **SMA FEMALE END LAUNCH**

PART NO. **SMA-48-TGG**

DRAWING NO. **SMA 48 TGG**

DRAWN **MARY** DATE **96.03.15**

CHECKED **蘇姿潔** DATE

Q.A. **馮健華** DATE

APPROVAL **徐燦霖** DATE

REVISION DATE

DIMENSIONS ARE IN MILLIMETERS

UNLESS OTHERWISE SPECIFIED TOLERANCE
 0.5-5=±0.2 120-315=±1
 5-30=±0.4 315-1000=±1.6
 30-120±0.6 1000-2000=±2.4

SCALE **4:1** SIZE **A**

REVISION

DESCRIPTION	ENGINEER