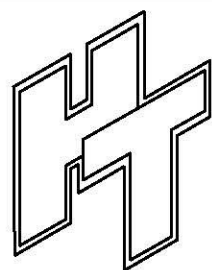
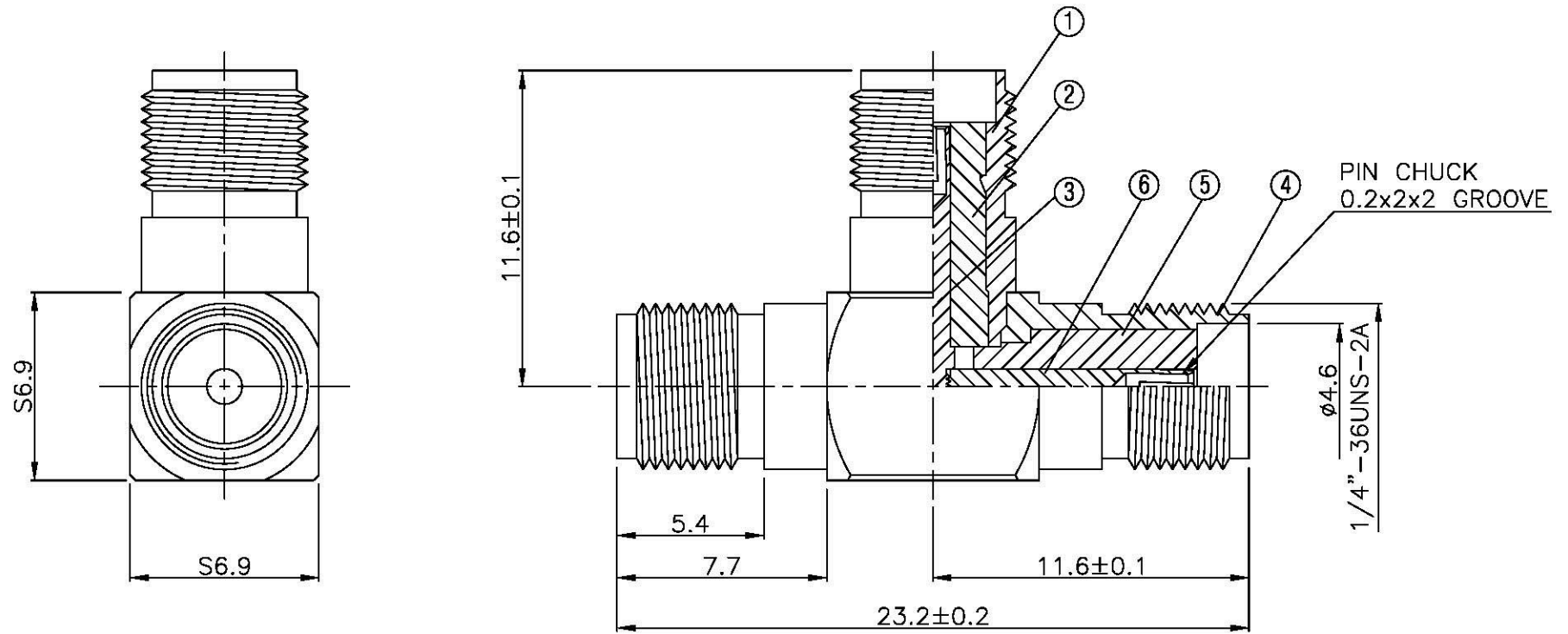
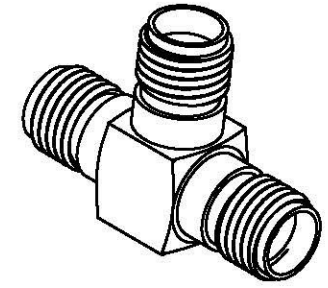


NO	DESCRIPTION	MATERIAL	Q'TY	FINISH	REMARK
1	BODY	BRASS	1	NICKEL	B-SMA0065-N
2	INSULATION	TEFLON	1	TEFLON	I-0126T
3	PIN	BE CU	1	GOLD	P-SMA0090-G
4	BODY	BRASS	1	NICKEL	B-SMA0141-N
5	INSULATION	TEFLON	2	TEFLON	I-0197T
6	PIN	BE CU	1	GOLD	P-SMA0091-G



All Connectors
 www.allconnectors.de
 Tel: 0049 711 7009503
 70794 Filderstadt - Germany

Info@allconnectors.de
 Fax: 0049 711 7009504
 Keckerstr. 25

TITLE: **SMA FEMALE T ADAPTOR**

PART NO.: **SMA-47-TGN**

DRAWING NO.: **SMA 47 TGN**

DRAWN: MARY DATE: 96.03.21

CHECKED: 黄巧君 DATE:

Q.A.: 蘇姿潔 DATE:

APPROVAL: 徐燦霖 DATE:

REVISION: DATE:

DIMENSIONS ARE IN MILLIMETER

UNLESS OTHERWISE SPECIFIED TOLERANCES

0.5-5 = ±0.2 120-315 = ±1

5-30 = ±0.4 315-1000 = ±1.6

30-120 = ±0.6 1000-2000 = ±2.4

SCALE: 5:1 SIZE: A

REVISION	
DESCRIPTION	ENGINEER