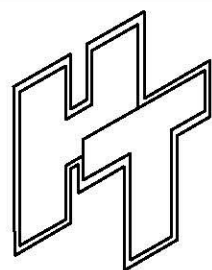
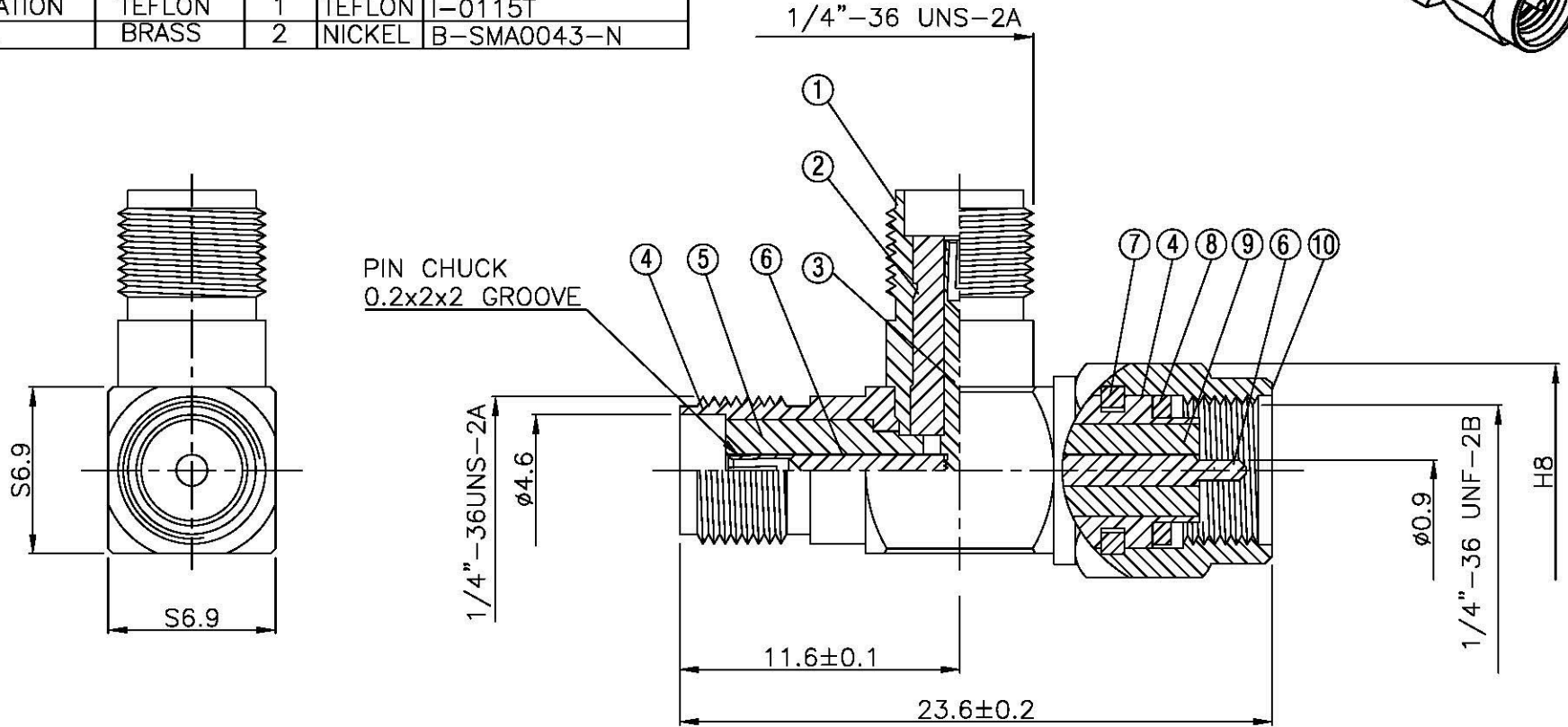
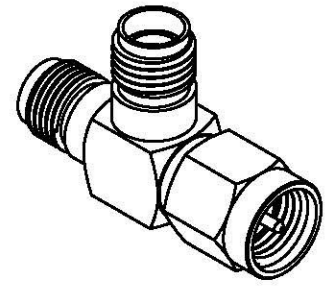


NO	DESCRIPTION	MATERIAL	Q'TY	FINISH	REMARK
1	BODY	BRASS	1	NICKEL	B-SMA0065-N
2	INSULATION	TEFLON	1	TEFLON	I-0126T
3	PIN 1	BE CU	1	GOLD	P-SMA0090-G
4	BODY	BRASS	1	NICKEL	B-SMA0999-N
5	INSULATION	TEFLON	2	TEFLON	I-0197T
6	PIN	BE CU	1	GOLD	P-SMA0694-G
7	WASHER	PH.BRONZE	1	NICKEL	W-0012
8	GASKET	SI RUBBER	1	RUBBER	RU-0008
9	INSULATION	TEFLON	1	TEFLON	I-0115T
10	SHELL	BRASS	2	NICKEL	B-SMA0043-N



All Connectors
 www.allconnectors.com info@allconnectors.com
 TEL: (049) 311 209933 Fax: (049) 311 209934
 70704 Filderstadt - Germany Kettnerstr. 25

TITLE **SMA FEMALE T ADAPTOR
 FEMALE-FEMALE-MALE**

PART NO. **SMA-46V4-TGN**

DRAWING NO. **SMA 46V4 TGN**

DRAWN	MARY	DATE	96.03.21
CHECKED	蘇姿潔	DATE	
Q.A.	馮健華	DATE	
APPROVAL	徐燦霖	DATE	
REVISION		DATE	

DIMENSIONS ARE IN MILLIMETER

UNLESS OTHERWISE SPECIFIED
 TOLERANCES

0.5-5 = ±0.2 120-315 = ±1
 5-30 = ±0.4 315-1000 = ±1.6
 30-120 = ±0.6 1000-2000 = ±2.4

SCALE 5:1 SIZE A

REVISION	
DESCRIPTION	ENGINEER