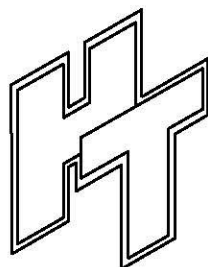
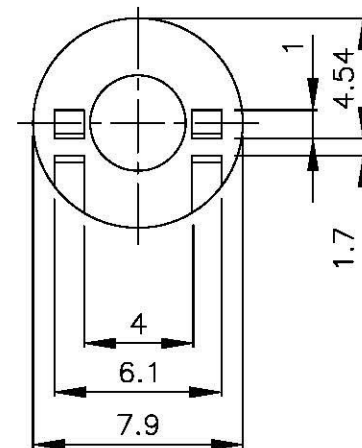
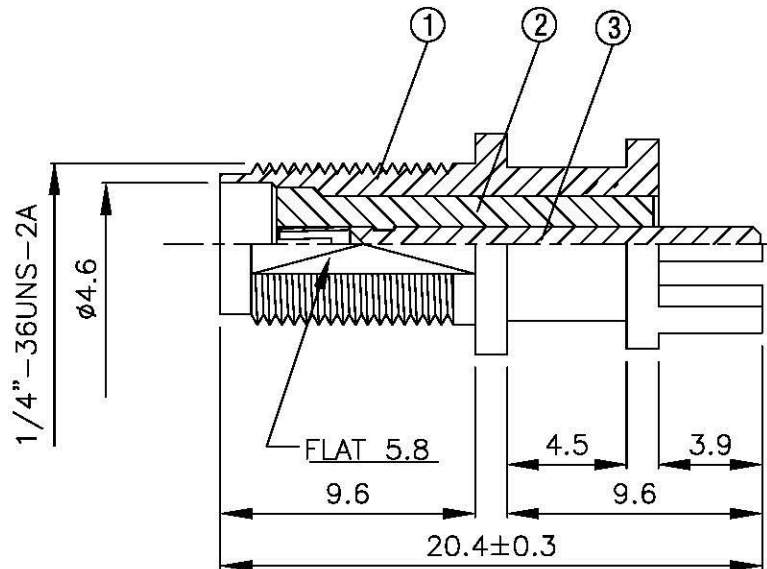
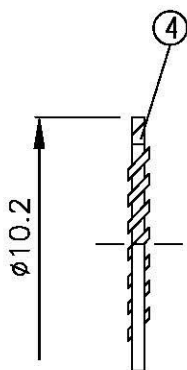
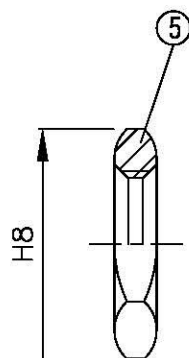
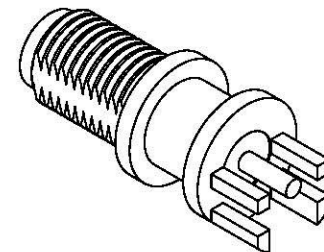


NO	DESCRIPTION	MATERIAL	Q'TY	FINISH	REMARK
1	BODY	BRASS	1	NICKEL	B-SMA0637-N
2	INSULATION	TEFLON	1	TEFLON	I-0104T
3	PIN	BE CU	1	GOLD	P-SMA0104-G
4	WASHER	BRASS	1	NICKEL	W-0016-N
5	NUT	BRASS	1	NICKEL	N-0006-N



All Connectors
 www.allconnectors.de info@allconnectors.de
 TEL: 0399 211 7005009 Fax: 0399 211 7005004
 20726 Hildesheim, Germany Ref: Connectors.de

TITLE SMA FEMALE PC MOUNT
 TAB CONTACT (BOARD THICKNESS 1.57)

PART NO. SMA-45V7-TGN

DRAWING NO. SMA 45V7 TGN

DRAWN	MARY	DATE	96.03.27
CHECKED	黄巧君	DATE	
Q.A.	蘇姿潔	DATE	
APPROVAL	徐燦霖	DATE	
REVISION		DATE	

DIMENSIONS ARE IN MILLIMETERS			
UNLESS OTHERWISE SPECIFIED TOLERANCE			
0.5-5=±0.2	120-315=±1		
5-30=±0.4	315-1000=±1.6		
30-120±0.6	1000-2000=±2.4		
SCALE	4:1	SIZE	A

REVISION	
DESCRIPTION	ENGINEER