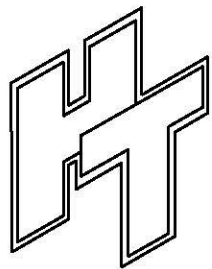
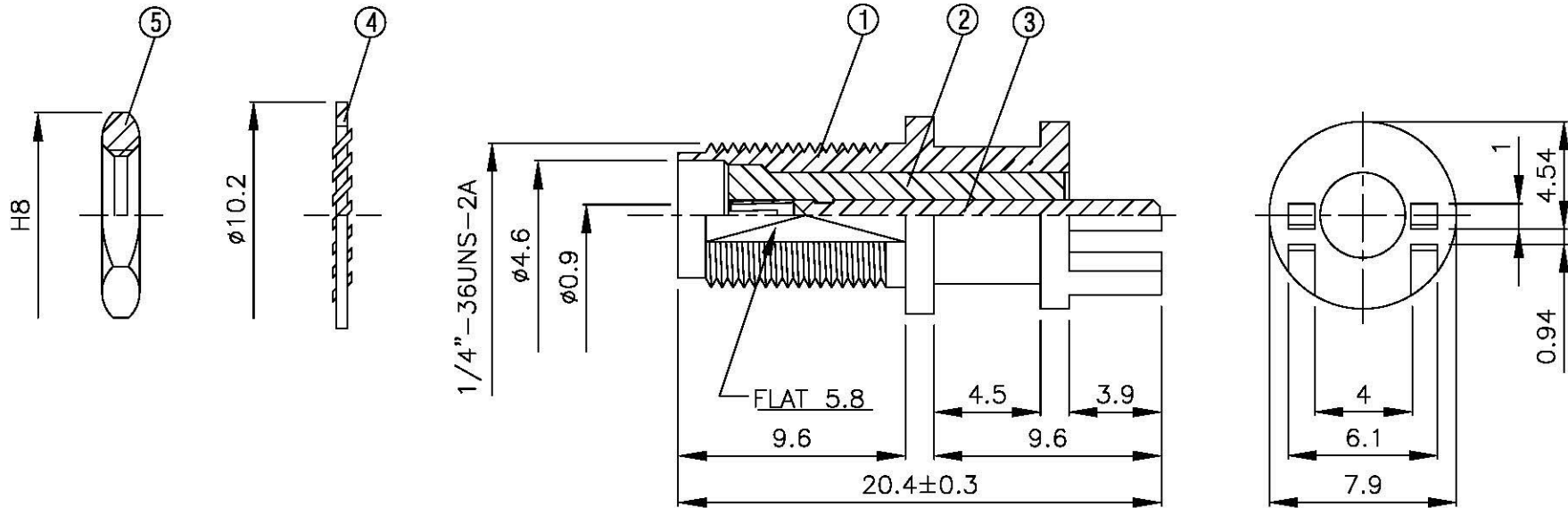
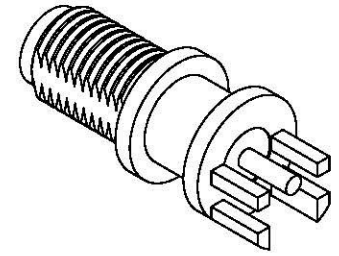


NO	DESCRIPTION	MATERIAL	Q'TY	FINISH	REMARK
1	BODY	BRASS	1	NICKEL	B-SMA0504-N
2	INSULATION	TEFLON	1	TEFLON	I-0104T
3	PIN	BRASS	1	GOLD	P-SMA0104-G
4	WASHER	BRASS	1	NICKEL	W-0016-N
5	NUT	BRASS	1	NICKEL	N-0006-N



All Connectors
 www.allconnectors.com info@allconnectors.com
 Tel: 0086 755 4005942 Tel: 0086 755 4005944
 20170818 10:11:11 - Rev: 1.00

TITLE: SMA FEMALE PC MOUNT
 PART NO.: SMA-45V6-TGN
 DRAWING NO.: SMA 45V6 TGN

DRAWN MARY DATE 96.03.21
 CHECKED 黄巧君 DATE
 Q.A. 蘇姿潔 DATE
 APPROVAL 徐燦霖 DATE
 REVISION DATE

DIMENSIONS ARE IN MILLIMETERS
 UNLESS OTHERWISE SPECIFIED TOLERANCE
 0.5-5=±0.2 120-315=±1
 5-30=±0.4 315-1000=±1.6
 30-120±0.6 1000-2000=±2.4
 SCALE 4:1 SIZE A

REVISION	
DESCRIPTION	ENGINEER