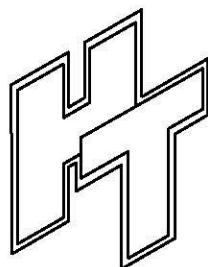
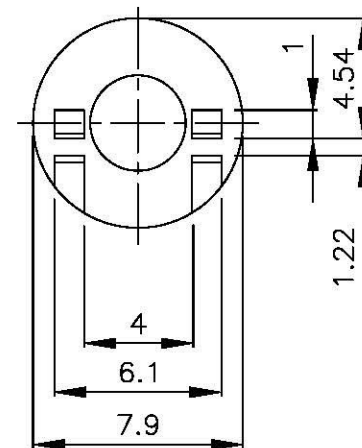
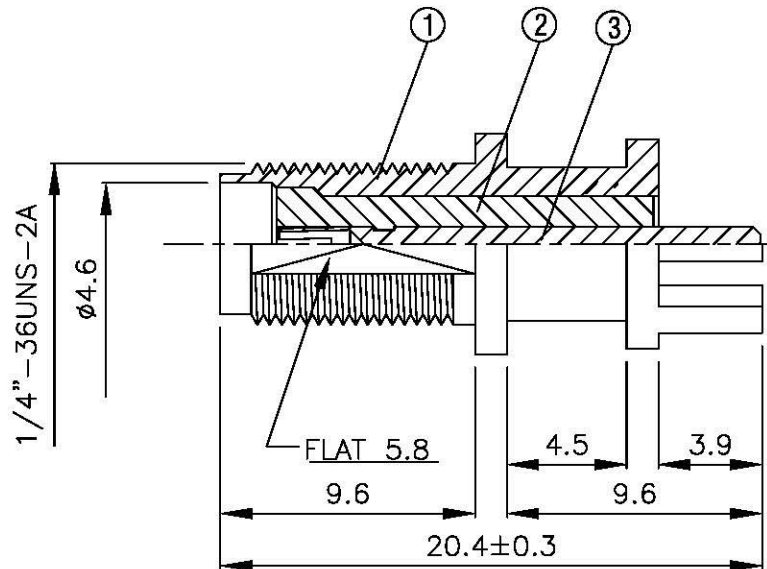
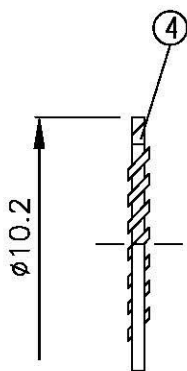
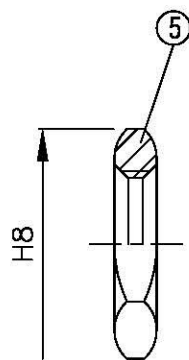
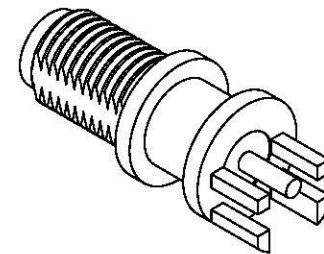


NO	DESCRIPTION	MATERIAL	Q'TY	FINISH	REMARK
1	BODY	BRASS	1	NICKEL	B-SMA0503-N
2	INSULATION	TEFLON	1	TEFLON	I-0104T
3	PIN	BE CU	1	GOLD	P-SMA0104-G
4	WASHER	BRASS	1	NICKEL	W-0016-N
5	NUT	BRASS	1	NICKEL	N-0006-N



**All Connectors**

www.allconnectors.de info@allconnectors.de  
Tel.: 0049 703 7095003 Fax: 0049 703 7095004  
70724 Eilderstadt - Germany Kellernstraße, 25

TITLE SMA FEMALE PC MOUNT  
TAB CONTACT (BOARD THICKNESS 1.07)

PART NO. SMA-45V5-TGN

DRAWING NO. SMA 45V5 TGN

DRAWN MARY DATE 96.03.27

CHECKED 黄巧君 DATE

Q.A. 蘇姿潔 DATE

APPROVAL 徐燦霖 DATE

REVISION DATE

DIMENSIONS ARE IN MILLIMETERS

UNLESS OTHERWISE SPECIFIED  
TOLERANCE

0.5-5=±0.2 120-315=±1

5-30=±0.4 315-1000=±1.6

30-120±0.6 1000-2000=±2.4

SCALE 4:1 SIZE A

REVISION

DESCRIPTION ENGINEER