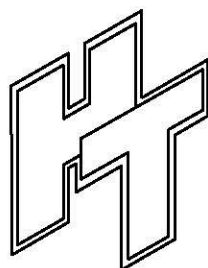
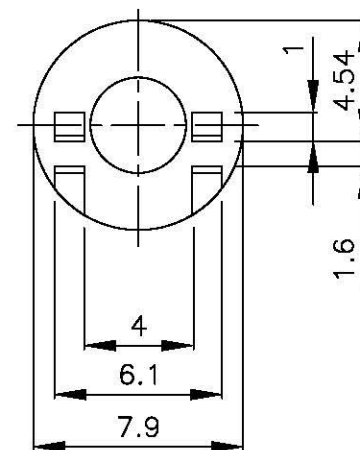
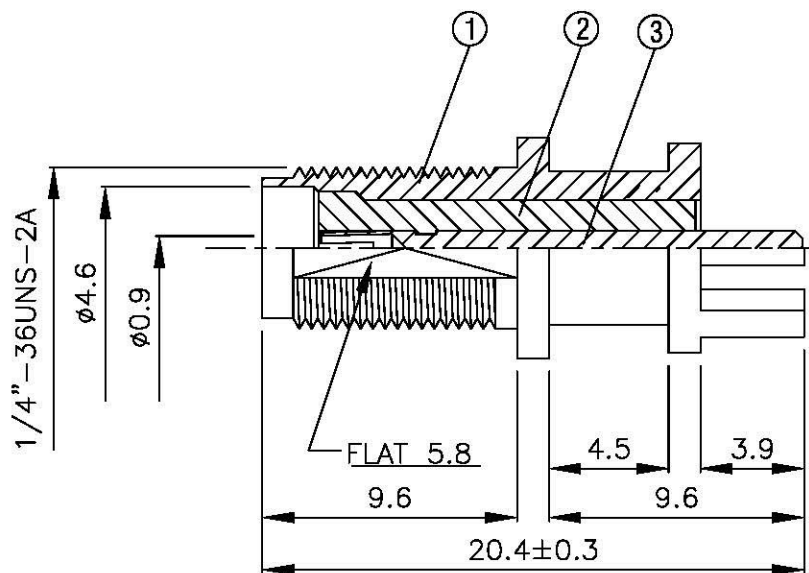
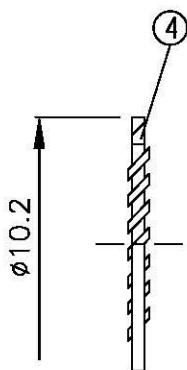
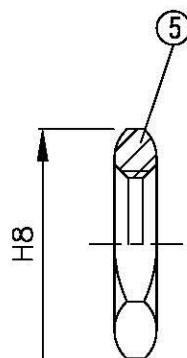
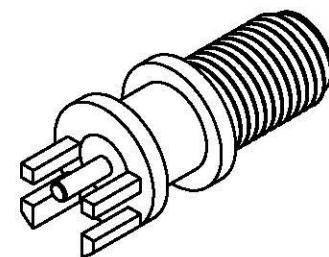


NO	DESCRIPTION	MATERIAL	Q'TY	FINISH	REMARK
1	BODY	BRASS	1	NICKEL	B-SMA0034-N
2	INSULATION	TEFLON	1	TEFLON	I-0104T
3	PIN	BRASS	1	GOLD	P-SMA0104-G
4	WASHER	BRASS	1	NICKEL	W-0016-N
5	NUT	BRASS	1	NICKEL	N-0006-N



All Connectors

www.allconnectors.de
 Tel.: 0049 711 7009803
 70794 Illerstadt - Germany

info@allconnectors.de
 Fax: 0049 711 7009804
 Kettnerstr. 25

TITLE SMA FEMALE PC MOUNT
 REVERSE POLARITY

PART NO. SMA-45V4-TGN

DRAWING NO. SMA 45V4 TGN

DRAWN MARY DATE 96.03.15

CHECKED 黄巧君 DATE

Q.A. 蘇姿潔 DATE

APPROVAL 徐燦霖 DATE

REVISION DATE

DIMENSIONS ARE IN MILLIMETERS

UNLESS OTHERWISE SPECIFIED
 TOLERANCE

0.5-5=±0.2 120-315=±1
 5-30=±0.4 315-1000=±1.6
 30-120±0.6 1000-2000=±2.4

SCALE 4:1 SIZE A

REVISION

DESCRIPTION ENGINEER