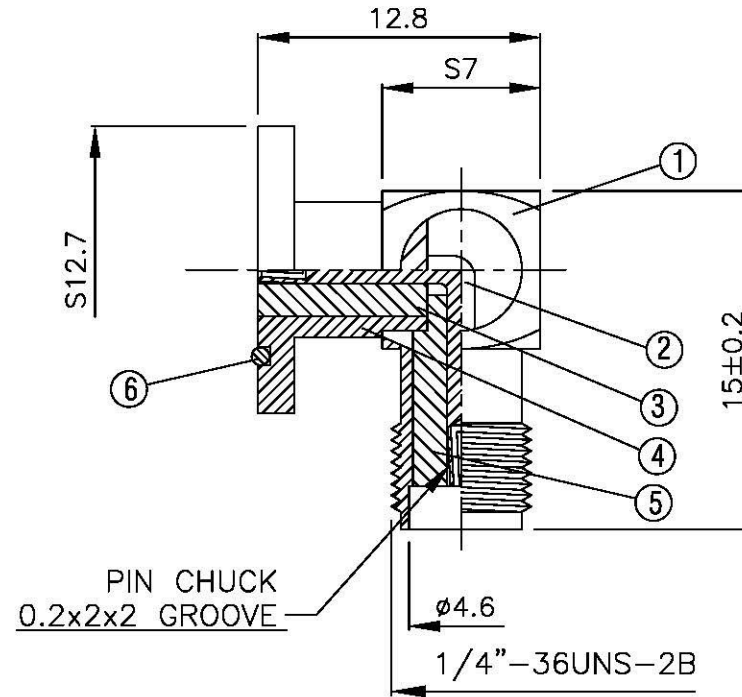
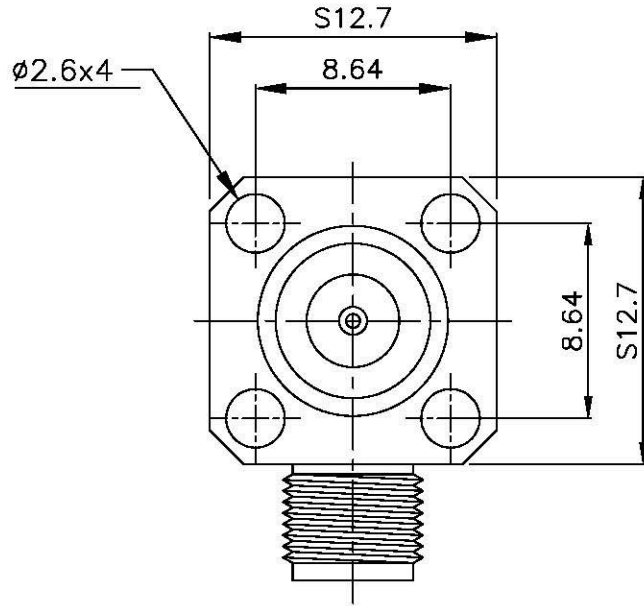
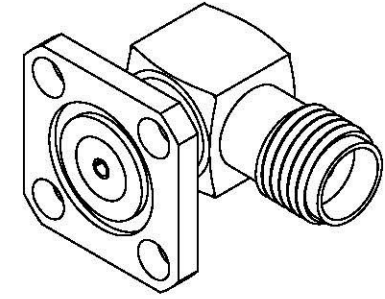
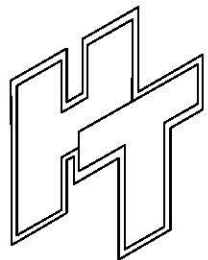


NO	DESCRIPTION	MATERIAL	Q'TY	FINISH
1	BODY 1	BRASS	1	NICKEL
2	PIN	BE CU	1	GOLD
3	INSULATION	TEFLON	1	TEFLON
4	BODY 2	BRASS	1	NICKEL
5	INSULATION	TEFLON	1	TEFLON
5	GASKET	SI RUBBER	1	RUBBER



PIN CHUCK
0.2x2x2 GROOVE



All Connectors

www.allconnectors.com
info@allconnectors.com
Tel: 0086 755 20150001
Fax: 0086 755 20150001
702948 Shenzhen, China

TITLE SMA RIGHT ANGLE JACK 4 HOLES FLANGE MOUNT

PART NO. SMA-41V6-TGN

DRAWING NO. SMA 41V6 TGN

DRAWN MARY DATE 96.08.20

CHECKED 蘇志欣

Q.A. 蘇姿潔

APPROVAL 徐燦霖

REVISION

DATE

DATE

DATE

DATE

DIMENSIONS ARE IN MILLIMETERS

UNLESS OTHERWISE SPECIFIED TOLERANCE

0.5-5=±0.2 120-315=±1

5-30=±0.4 315-1000=±1.6

30-120=±0.6 1000-2000=±2.4

REVISION

DESCRIPTION ENGINEER

SCALE 4:1 SIZE A