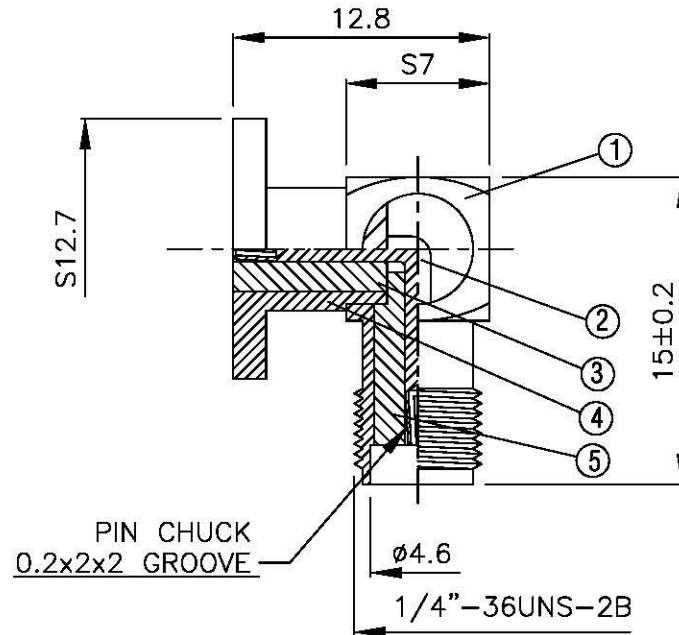
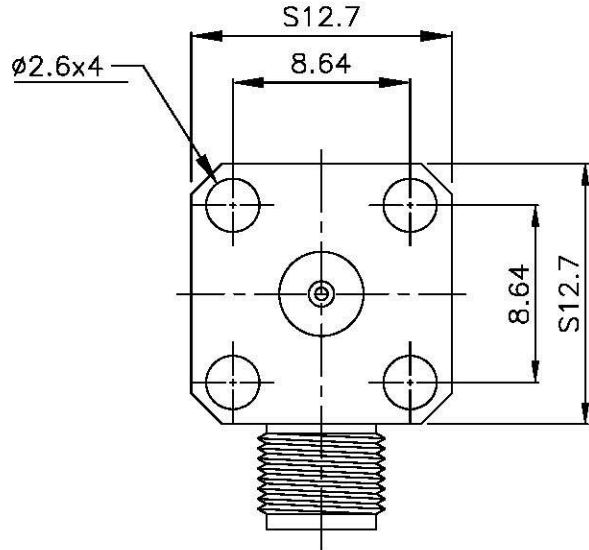
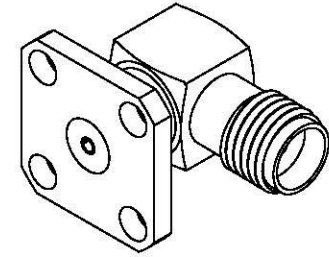


NO	DESCRIPTION	MATERIAL	Q'TY	FINISH
1	BODY 1	BRASS	1	NICKEL
2	PIN	BE CU	1	GOLD
3	INSULATION	TEFLON	1	TEFLON
4	BODY 2	BRASS	1	NICKEL
5	INSULATION	TEFLON	1	TEFLON



D

D

C

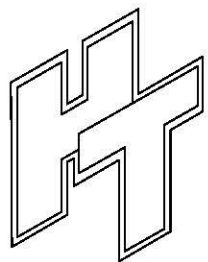
C

B

B

A

A



Allconnectors

www.allconnectors.de info@allconnectors.de
Tel.: 0049 711 7050500 Fax: 0049 711 7050504
20254 Hildesheim, Germany

TITLE SMA RIGHT ANGLE JACK 4 HOLES FLANGE MOUNT

PART NO. SMA-41V5-TGN

DRAWING NO. SMA 41V5 TGN

DRAWN MARY DATE 96.08.20

CHECKED 蘇志欣 DATE

Q.A. 蘇姿潔 DATE

APPROVAL 徐燦霖 DATE

REVISION DATE

DIMENSIONS ARE IN MILLIMETERS

UNLESS OTHERWISE SPECIFIED TOLERANCE
0.5-5=±0.2 120-315=±1
5-30=±0.4 315-1000=±1.6
30-120=±0.6 1000-2000=±2.4

SCALE 4:1 SIZE A

REVISION

DESCRIPTION ENGINEER

4

3

2

1