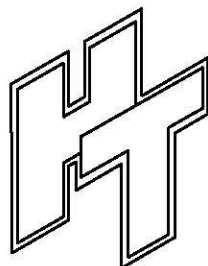
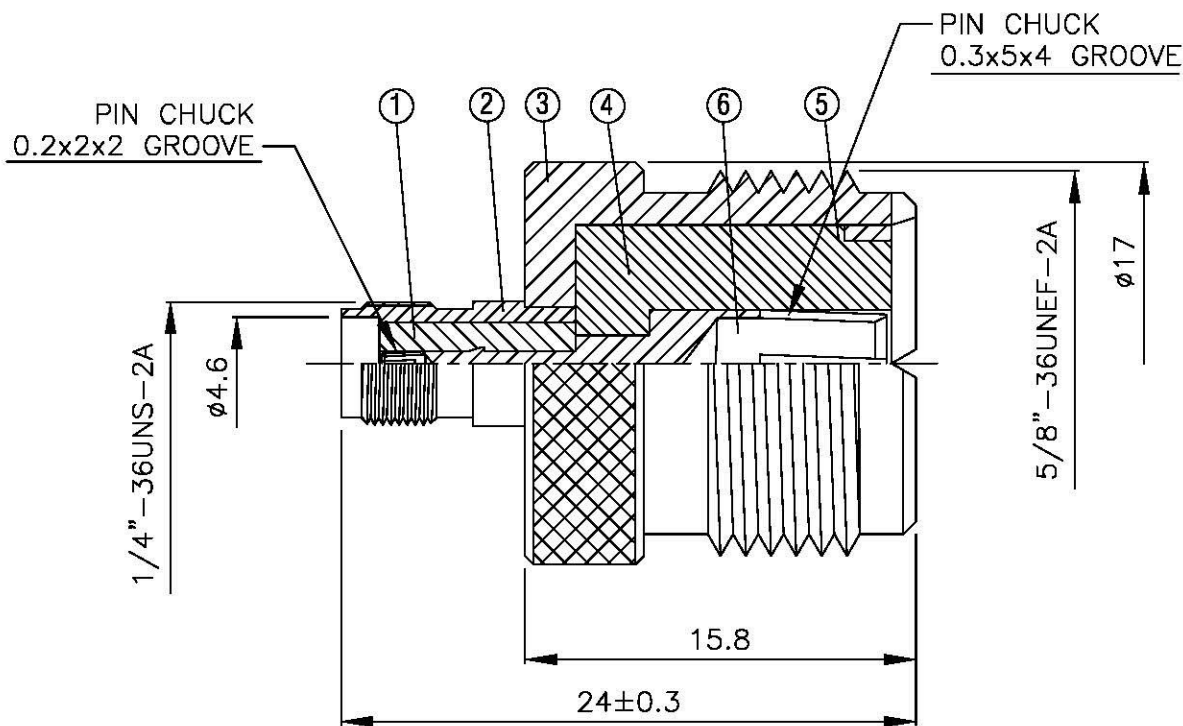
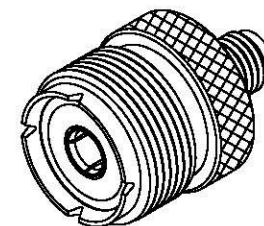


NO	DESCRIPTION	MATERIAL	Q'TY	FINISH	REMARK
1	INSULATION 1	TEFLON	1	TEFLON	I-0126T
2	BODY 1	BRASS	1	NICKEL	B-SMA0065-N
3	BODY 2	BRASS	1	NICKEL	B-UHF0682-N
4	INSULATION 2	TEFLON	1	TEFLON	I-0328T
5	WASHER	BRASS	1	NICKEL	W-0058-N
6	PIN	BRASS	1	GOLD	P-UHF0460-G



All Connectors

www.allconnectors.de info@allconnectors.de
 Tel: 089 1 75 899921 Fax: 089 1 75 899906
 70734 Biberach, Germany kurt@allconnectors.de

TITLE SMA FEMALE-UHF FEMALE ADAPTOR

PART NO. SMA-39-TGN

DRAWING NO. SMA 39 TGN

DRAWN MARY DATE 96.03.27

CHECKED 黄巧君 DATE

Q.A. 蘇姿潔 DATE

APPROVAL 徐燦霖 DATE

REVISION DATE

DIMENSIONS ARE IN MILLIMETERS

UNLESS OTHERWISE SPECIFIED TOLERANCE
 0.5-5=±0.2 120-315=±1
 5-30=±0.4 315-1000=±1.6
 30-120±0.6 1000-2000=±2.4

SCALE 4:1 SIZE A

REVISION

DESCRIPTION ENGINEER