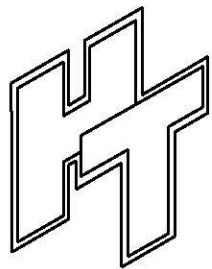
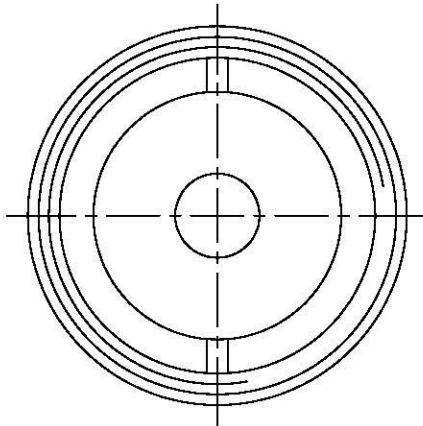
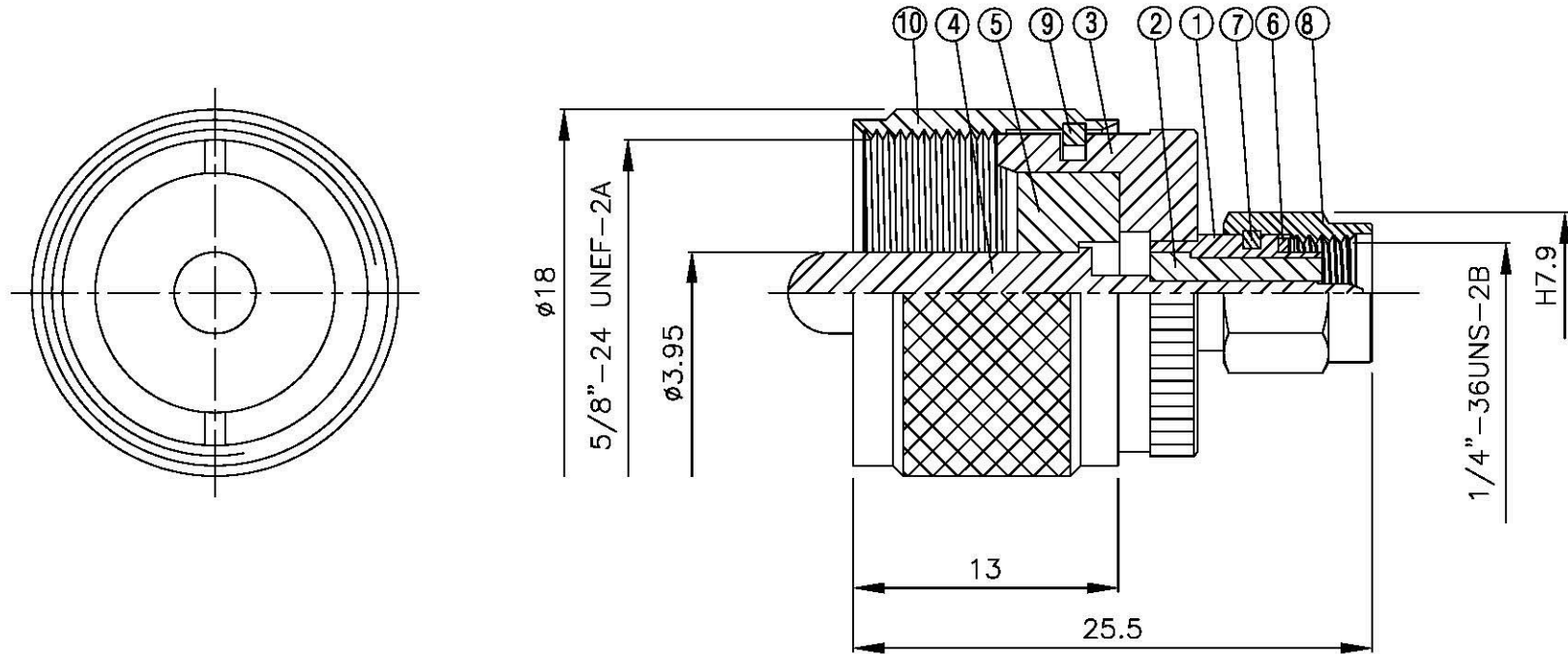
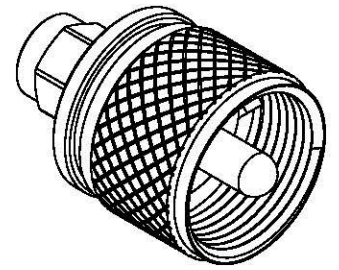


NO	DESCRIPTION	MATERIAL	Q'TY	FINISH	REMARK
1	BODY	BRASS	1	NICKEL	B-SMA0154-N
2	INSULATION 2	TEFLON	1	TEFLON	I-0306T
3	BODY 2	BRASS	1	NICKEL	B-UHF0715-N
4	PIN	BRASS	1	GOLD	P-UHF0500-G
5	INSULATION 1	DELTRIN	1	DELTRIN	I-0039D
6	RUBBER	SI RUBBER	1	RUBBER	RU-0008
7	GASKET	PH.BRONZE	1	NICKEL	W-0012
8	SHELL	BRASS	1	NICKEL	B-SMA0043-N
9	WASHER	PH.BRONZE	1	NICKEL	W-0029
10	BODY 3	BRASS	1	NICKEL	B-UHF0221-N



All Connectors
 www.allconnectors.de info@allconnectors.de
 Tel: 0049 711 7069309 Fax: 0049 711 7069304
 /W/CH: Ulmerstraße 1 - Gernsheim Weilmünster, D-63929

TITLE SMA MALE - UHF MALE ADAPTOR
 PART NO. SMA-38-TGN
 DRAWING NO. SMA 38 TGN

DRAWN MARY DATE 96.03.29
 CHECKED 蘇姿潔 DATE
 Q.A. 馮健華 DATE
 APPROVAL 徐燦霖 DATE
 REVISION DATE

DIMENSIONS ARE IN MILLIMETERS
 UNLESS OTHERWISE SPECIFIED TOLERANCE
 0.5-5=±0.2 120-315=±1
 5-30=±0.4 315-1000=±1.6
 30-120±0.6 1000-2000=±2.4
 SCALE 4:1 SIZE A

REVISION	
DESCRIPTION	ENGINEER