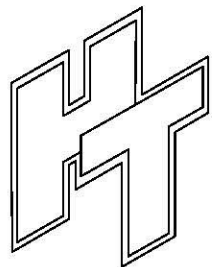
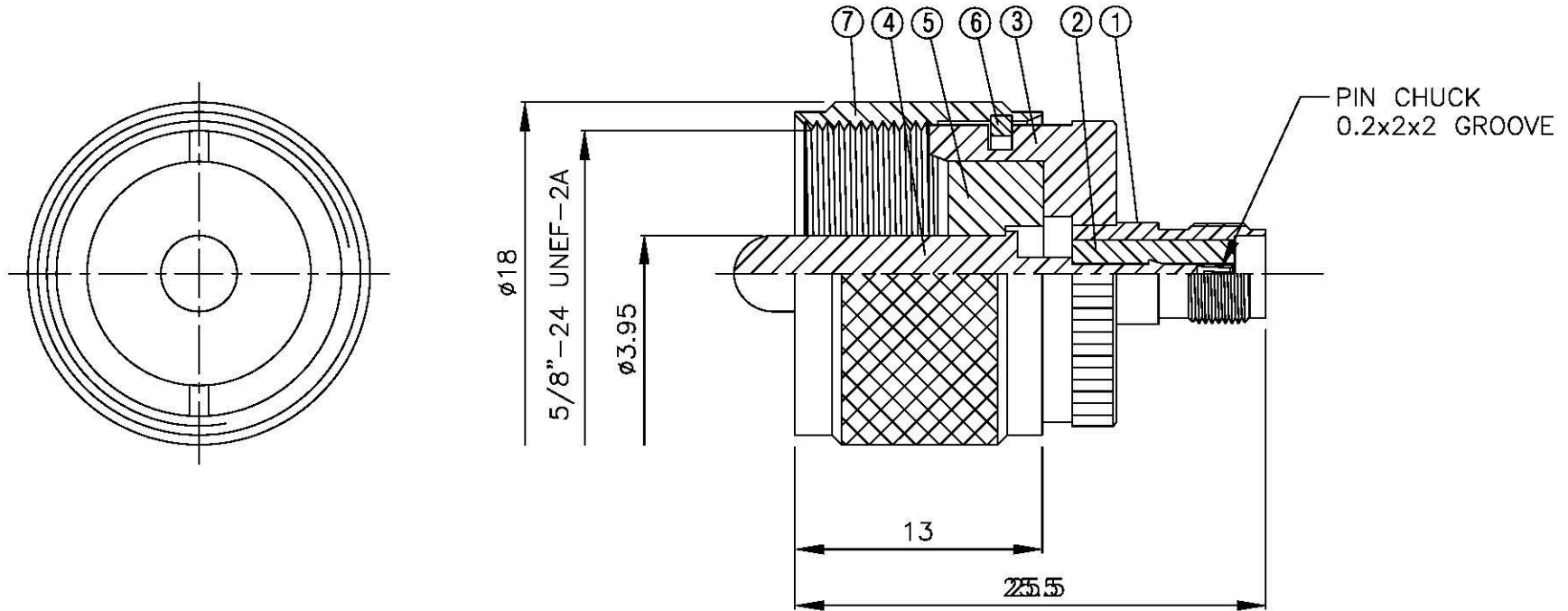
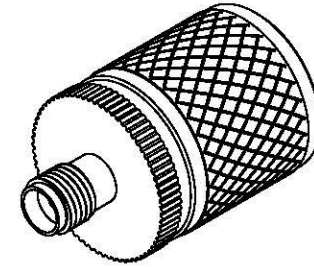


NO	DESCRIPTION	MATERIAL	Q'TY	FINISH	REMARK
1	BODY	BRASS	1	NICKEL	B-SMA0065-N
2	INSULATION 2	TEFLON	1	TEFLON	I-0306T
3	BODY 2	BRASS	1	NICKEL	B-UHF0715-N
4	PIN	PH.BRONZE	1	GOLD	P-UHF0501-G
5	INSULATION 1	DELTRIN	1	DELTRIN	I-0039D
6	WASHER	PH.BRONZE	1	NICKEL	W-0029
7	BODY 3	BRASS	1	NICKEL	B-UHF0221-N



**All Connectors**  
 www.allconnectors.de      info@allconnectors.de  
 +49 48879 011 4023541      +49 48879 011 2000006  
 70794 Fildefestach - Germany      kettnerstr. 25

TITLE SMA FEMALE - UHF MALE ADAPTOR

PART NO. SMA-37-TGN

DRAWING NO. SMA 37 TGN

DRAWN	MARY	DATE	96.03.27
CHECKED	蘇姿潔	DATE	
Q.A.	馮健華	DATE	
APPROVAL	徐燦霖	DATE	
REVISION		DATE	

DIMENSIONS ARE IN MILLIMETERS			
UNLESS OTHERWISE SPECIFIED TOLERANCE			
0.5-5=±0.2	120-315=±1		
5-30=±0.4	315-1000=±1.6		
30-120±0.6	1000-2000=±2.4		
SCALE	4:1	SIZE	A

REVISION	
DESCRIPTION	ENGINEER