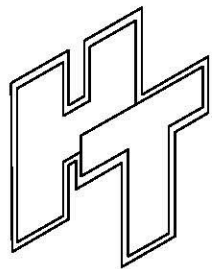
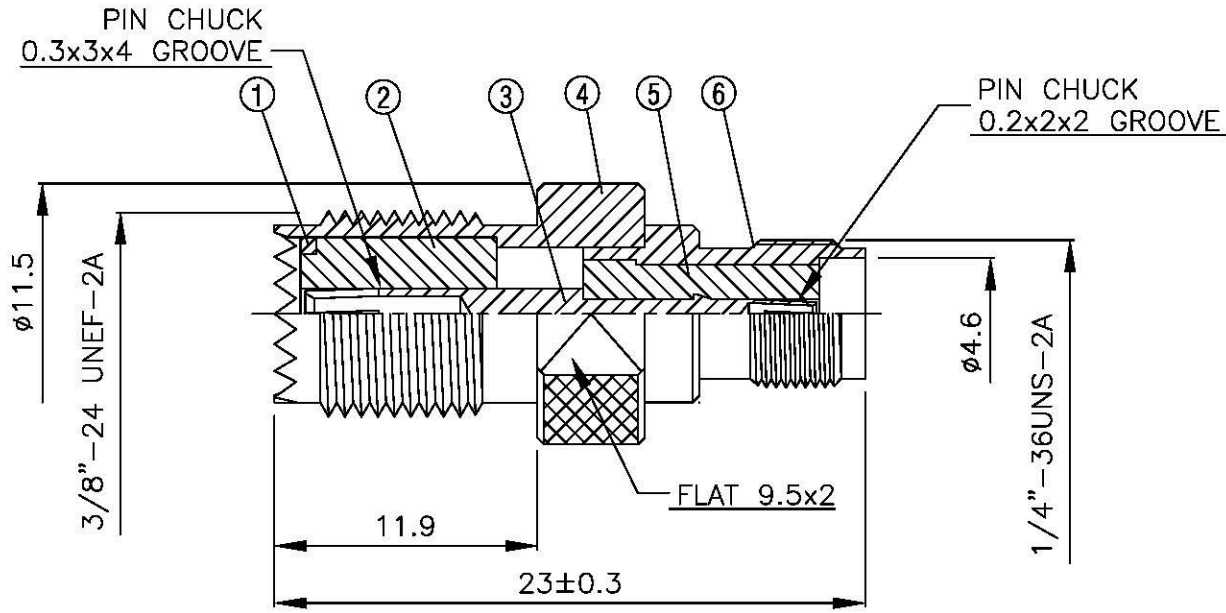
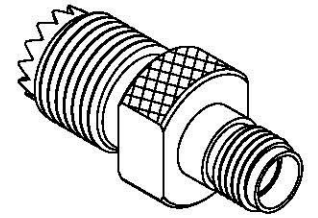


NO	DESCRIPTION	MATERIAL	Q'TY	FINISH	REMARK
1	WASHER	BRASS	1	NICKEL	W-0039-N
2	INSULATION 1	DELIN	1	DELIN	I-0144D
3	PIN	PH.BRONZE	1	GOLD	P-SMA0471-G
4	BODY 1	BRASS	1	NICKEL	B-MU0565-N
5	INSULATION 2	TEFLON	1	TEFLON	I-0126T
6	BODY 2	BRASS	1	NICKEL	B-SMA0679-N



All Connectors
 www.allconnectors.de
 Tel.: 0049 714 7005500
 35700 Filzschmid - Germany
 info@allconnectors.de
 Fax: 0049 714 7005504
 Mail: info@allconnectors.de

TITLE SMA FEMALE - Mini UHF FEMALE ADAPTOR

PART NO. SMA-36-TGN

DRAWING NO. SMA 36 TGN

DRAWN MARY DATE 96.03.29

CHECKED 黄巧君 DATE

Q.A. 蘇姿潔 DATE

APPROVAL 徐燦霖 DATE

REVISION DATE

DIMENSIONS ARE IN MILLIMETERS

UNLESS OTHERWISE SPECIFIED TOLERANCE

0.5-5 = ±0.2	120-315 = ±1
5-30 = ±0.4	315-1000 = ±1.6
30-120 ±0.6	1000-2000 = ±2.4

SCALE 4:1 SIZE A

REVISION

DESCRIPTION	ENGINEER