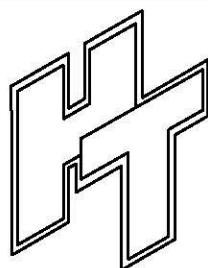
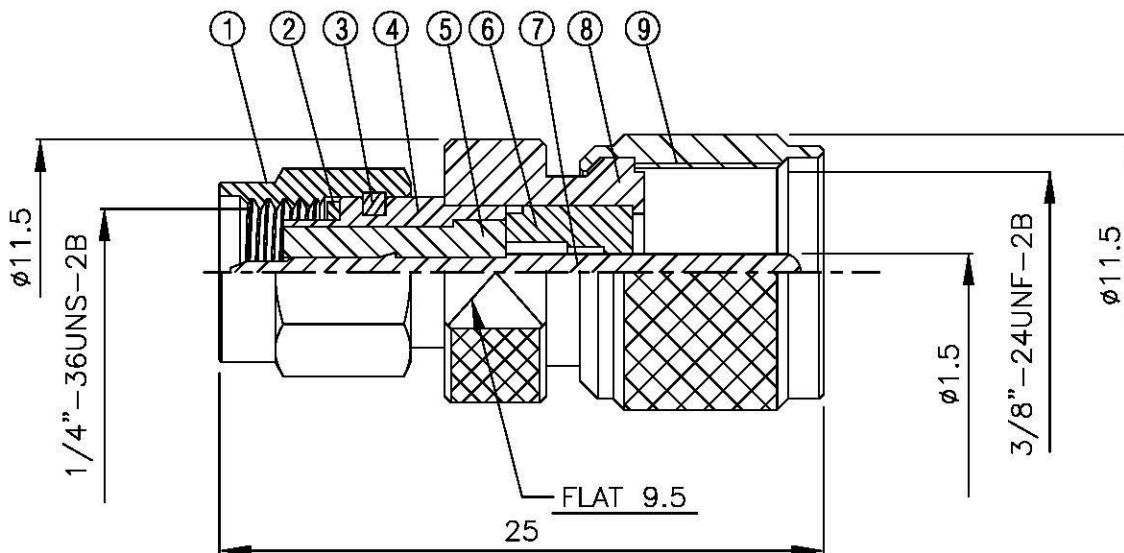
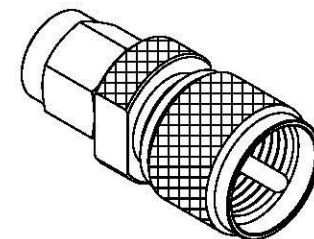


NO	DESCRIPTION	MATERIAL	Q'TY	FINISH	REMARK
1	BODY 1	BRASS	1	NICKEL	B-SMA0043-N
2	GASKET	SI RUBBER	1	RUBBER	RU-0008
3	WASHER	PH.BRONZE	1	NICKEL	W-0012
4	BODY 2	BRASS	1	NICKEL	B-SMA0154-N
5	INSULATION 1	TEFLON	1	TEFLON	I-0126T
6	INSULATION 2	DELRIN	1	DELRIN	I-0048D
7	PIN	BRASS	1	GPLD	P-SMA0443-G
8	BODY 3	BRASS	1	NICKEL	B-MU0666-N
9	BODY 4	BRASS	1	NICKEL	B-MU0014-N



All Connectors

www.allconnectors.com
 Tel: 0049 711 3906503 Fax: 0049 711 3906504
 70764 Flörsdorf, Germany Kallrothstr. 22

TITLE SMA MALE - Mini UHF MALE ADAPTOR

PART NO. SMA-34-TGN

DRAWING NO. SMA 34 TGN

DRAWN MARY DATE 96.03.28

CHECKED 黄巧君 DATE

Q.A. 蘇姿潔 DATE

APPROVAL 徐燦霖 DATE

REVISION DATE

DIMENSIONS ARE IN MILLIMETERS

UNLESS OTHERWISE SPECIFIED TOLERANCE

0.5-5=±0.2	120-315=±1
5-30=±0.4	315-1000=±1.6
30-120±0.6	1000-2000=±2.4

SCALE 4:1 SIZE A

REVISION

DESCRIPTION	ENGINEER