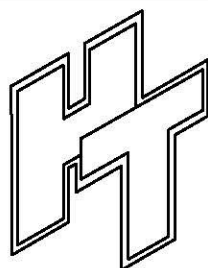
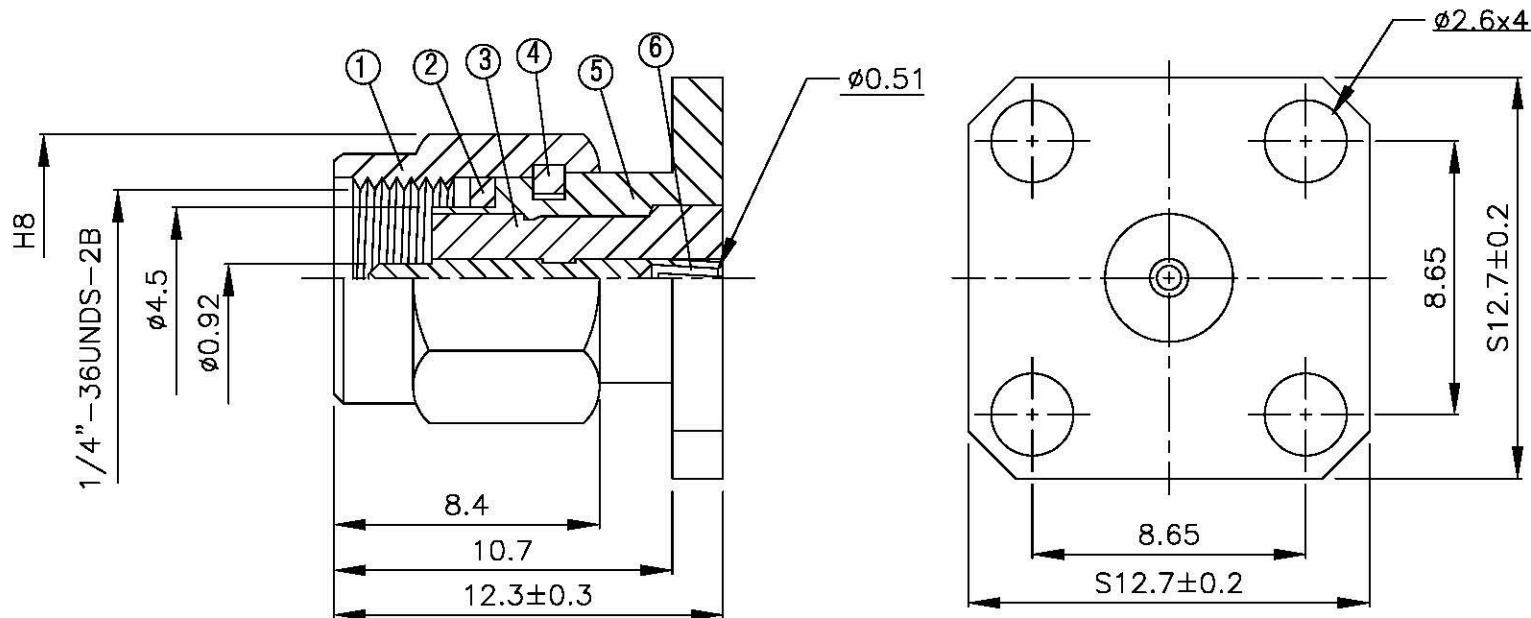
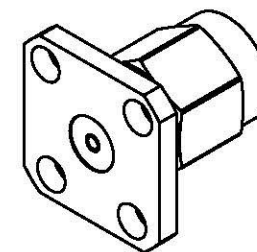


NO	DESCRIPTION	MATERIAL	Q'TY	FINISH	REMARK
1	SHELL	BRASS	1	GOLD	B-SMA0043-G
2	GASKET	SI RUBBER	1	RUBBER	RU-0008
3	INSULATION	TEFLON	1	TEFLON	I-0132T
4	WASHER	PH.BRONZE	1	NICKEL	W-0012-N
5	BODY	BRASS	1	GOLD	B-SMA0095-G
6	PIN	BE CU	1	GOLD	P-SMA0263-G



All Connectors
 www.allconnectors.de info@allconnectors.de
 Tel.: 0049 711 7008203 Fax: 0049 711 7008204
 All Connectors GmbH Reilweg 11, 22

TITLE SMA MALE PANEL RECEPTACLE
 PIN SIZE (0.51)

PART NO. SMA-33V8-TGG

DRAWING NO. SMA 33V8 TGG

DRAWN MARY DATE 96.03.16

CHECKED 黄巧君 DATE

Q.A. 蘇姿潔 DATE

APPROVAL 徐燦霖 DATE

REVISION DATE

DIMENSIONS ARE IN MILLIMETERS

UNLESS OTHERWISE SPECIFIED TOLERANCE
 0.5-5=±0.2 120-315=±1
 5-30=±0.4 315-1000=±1.6
 30-120±0.6 1000-2000=±2.4

SCALE 4:1 SIZE A

REVISION

DESCRIPTION ENGINEER