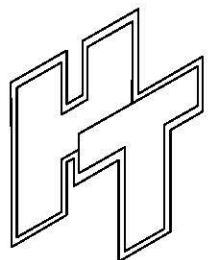
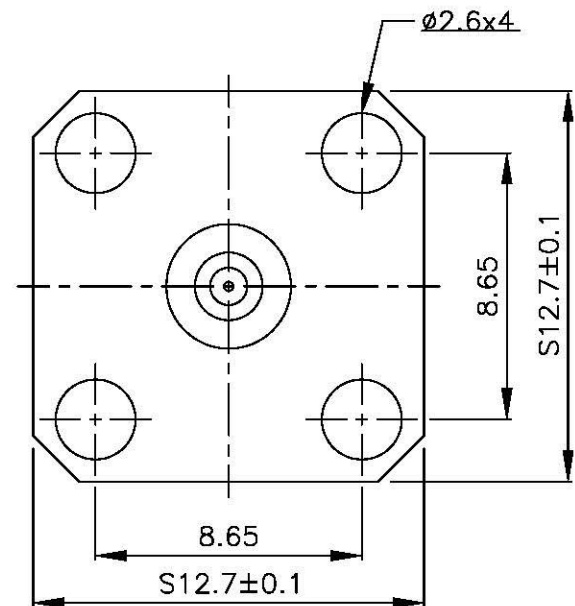
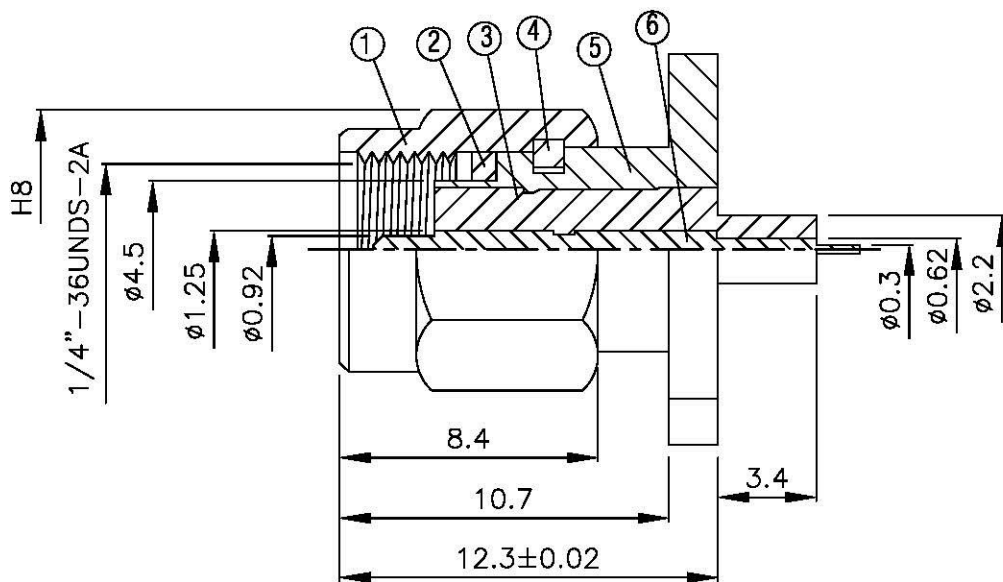
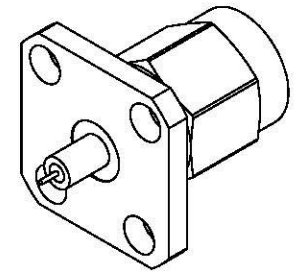


NO	DESCRIPTION	MATERIAL	Q'TY	FINISH	REMARK
1	SHELL	BRASS	1	NICKEL	B-SMA0043-G
2	GASKET	SI RUBBER	1	RUBBER	RU-0008
3	INSULATION	TEFLON	1	TEFLON	I-0134T
4	WASHER	PH.BRONZE	1	NICKEL	W-0012
5	BODY	BRASS	1	NICKEL	B-SMA0095-G
6	PIN	BRASS	1	GOLD	P-SMA0063-G



All Connectors

ALL CONNECTORS
CORPORATION
10000 FIVE STAR INDUSTRIAL PARK
SHEWAN THOMAS BUILDING
HONG KONG

TITLE
SMA MALE PANEL RECEPTACLE

PART NO.
SMA-33V6-TGN

DRAWING NO.
SMA 33V6 TGN

DRAWN
MARY

DATE
96.08.06

CHECKED
黃巧君

DATE

Q.A.
蘇姿潔

DATE

APPROVAL
徐燦霖

DATE

REVISION

DATE

DIMENSIONS ARE IN MILLIMETERS

UNLESS OTHERWISE SPECIFIED
TOLERANCE

0.5-5 = ± 0.2 120-315 = ± 1

5-30 = ± 0.4 315-1000 = ± 1.6

30-120 = ± 0.6 1000-2000 = ± 2.4

SCALE | 4:1 | SIZE | A

REVISION

DESCRIPTION | ENGINEER

A | **蘇姿潔**