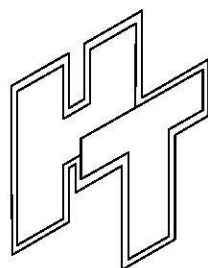
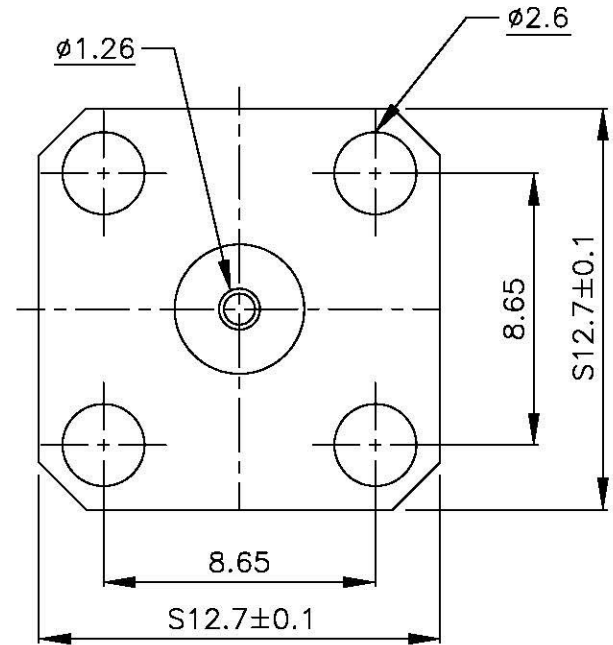
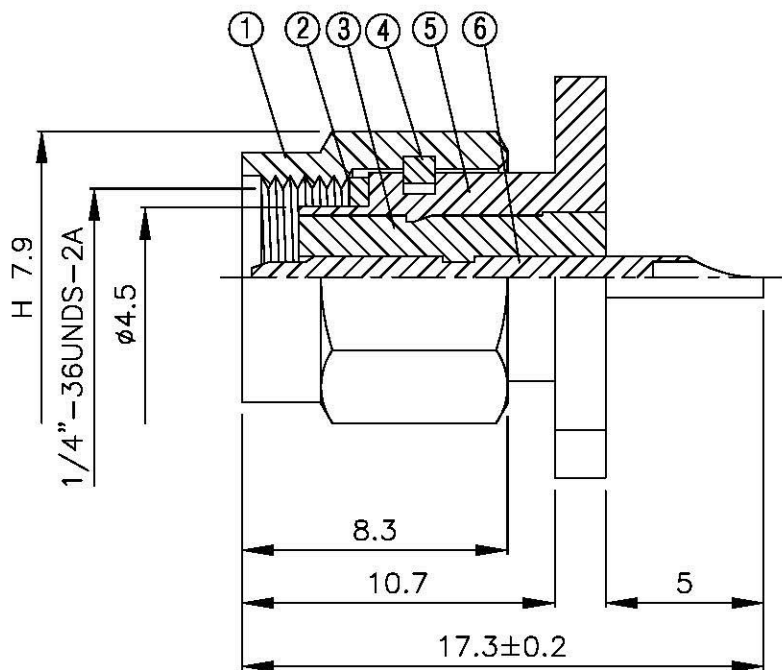
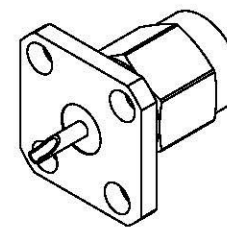


NO	DESCRIPTION	MATERIAL	Q'TY	FINISH	REMARK
1	SHELL	BRASS	1	GOLD	B-SMA0043-G
2	GASKET	SI RUBBER	1	RUBBER	RU-0008
3	INSULATION	TEFLON	1	TEFLON	I-0132T
4	WASHER	PH.BRONZE	1	GOLD	W-0012
5	BODY	BRASS	1	GOLD	B-SMA0095-G
6	PIN	BRASS	1	GOLD	P-SMA0060-G



All Connectors

www.allconnectors.de info@allconnectors.de
Tel.: 0049 711 7005933 Fax: 0049 711 7005901
70764 Hilderstätt 492/many Postmerstr. 2a

TITLE **SMA MALE PANEL RECEPTACLE**

PART NO. **SMA-33-TGG**

DRAWING NO. **SMA 33 TGG**

DRAWN **MARY** DATE **96.03.16**

CHECKED **蘇姿潔** DATE

Q.A. **馮健華** DATE

APPROVAL **徐燦霖** DATE

REVISION DATE

DIMENSIONS ARE IN MILLIMETERS

UNLESS OTHERWISE SPECIFIED TOLERANCE
 0.5-5=±0.2 120-315=±1
 5-30=±0.4 315-1000=±1.6
 30-120±0.6 1000-2000=±2.4

SCALE **4:1** SIZE **A**

REVISION

DESCRIPTION ENGINEER

4

3

2

1