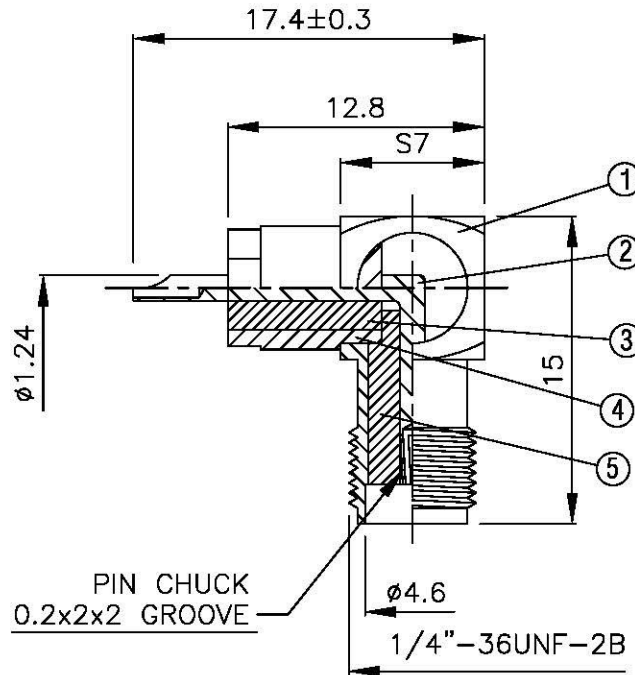
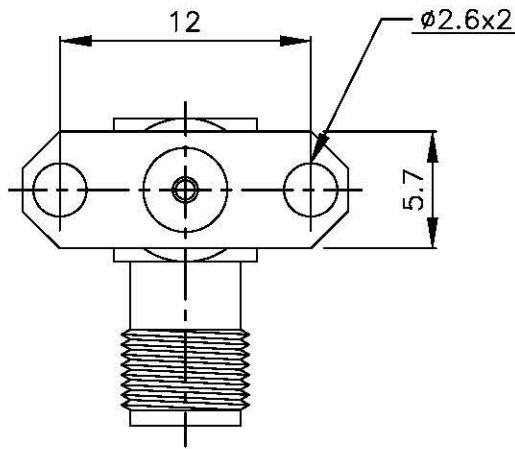
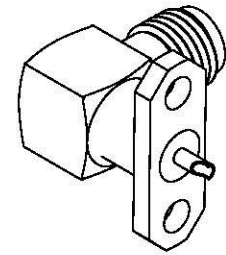


NO	DESCRIPTION	MATERIAL	Q'TY	FINISH	REMARK
1	BODY 1	BRASS	1	NICKEL	B-SMA0317-N
2	PIN	BE CU	1	GOLD	P-SMA0251-G
3	INSULATION	TEFLON	1	TEFLON	I-0272T
4	BODY 2	BRASS	1	NICKEL	B-SMA0400-N
5	INSULATION	TEFLON	1	TEFLON	I-0151T



D

D

C

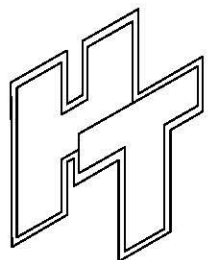
C

B

B

A

A



**All Connectors**

www.allconnectors.de info@allconnectors.de  
Tel.: 0049 7143 7008008 Fax: 0049 7143 7008004  
70750 Filhratch - Germany Karlsruhe, DE

TITLE SMA RIGHT ANGLE JACK 2 HOLES FLANGE MOUNT

PART NO. SMA-31V9-TGN

DRAWING NO. SMA-31V9-TGN

DRAWN MARY

DATE 94.12.27

CHECKED 沈佳憶

DATE 94.12.27

Q.A. 蘇姿潔

DATE

APPROVAL 徐燦霖

DATE

REVISION

DATE

DIMENSIONS ARE IN MILLIMETERS

UNLESS OTHERWISE SPECIFIED TOLERANCE

0.5-5=±0.2	120-315=±1
5-30=±0.4	315-1000=±1.6
30-120±0.6	1000-2000=±2.4

SCALE	4:1	SIZE	A
-------	-----	------	---

REVISION

DESCRIPTION	ENGINEER

4

3

2

1