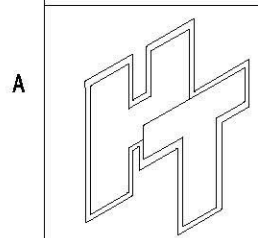
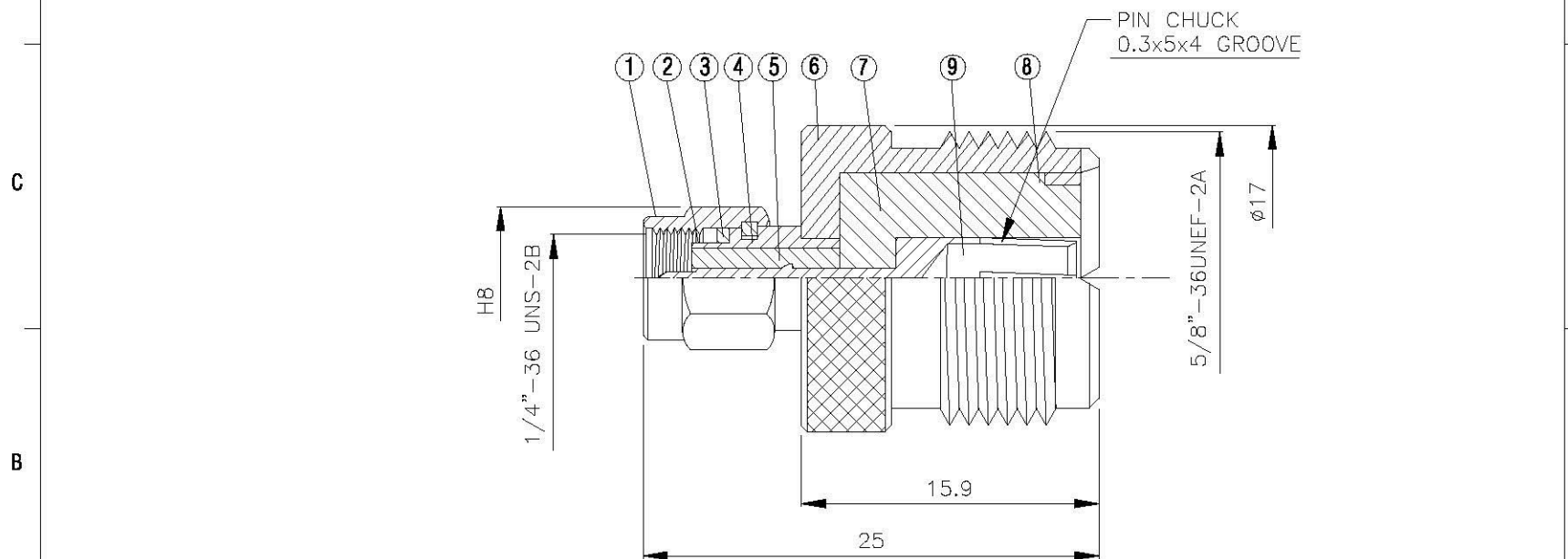
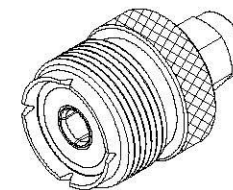


NO	DESCRIPTION	MATERIAL	Q'TY	FINISH	REMARK
1	BODY 1	BRASS	1	NICKEL	B-SMA0043-N
2	BODY 2	BRASS	1	NICKEL	B-SMA0154-N
3	RUBBER 1	SI RUBBER	1	RUBBER	RU-0008
4	WASHER	PH.BRONZE	1	NICKEL	W-0012
5	INSULATION 1	TEFLON	1	TEFLON	I-0306T
6	BODY 3	BRASS	1	NICKEL	B-UHF0682-N
7	INSULATION 2	TEFLON	1	TEFLON	I-0328T
8	WASHER	BRASS	1	NICKEL	W-0058-N
9	PIN	BRASS	1	GOLD	P-UHF0461-G



All Connectors
Professional connectors for all applications
Professional connectors for all applications
 TITLE SMA MALE-UHF FEMALE ADAPTOR
 PART NO. SMA-29-TGN
 DRAWING NO. SMA 29 TGN

DRAWN MARY DATE 96.03.29
 CHECKED 蘇志欣 DATE 97.06.02
 Q.A. 蘇姿潔
 APPROVAL 徐慶霖
 REVISION

DIMENSIONS ARE IN MILLIMETERS
 UNLESS OTHERWISE SPECIFIED TOLERANCE
 0.5-5=±0.2 120-315=±1
 5-30=±0.4 315-1000=±1.6
 30-120=±0.6 1000-2000=±2.4
 SCALE 4:1 SIZE A

REVISION
 DESCRIPTION ENGINEER

4

3

2

1